

ASSEMBLE INSTRUCTION



INDOOR

Before starting to assemble the tt-table and before using it for the first time please read the assembly instructions and the information for the user very carefully. They contain important advices for safety when using the table. Please keep the instructions for your information, for maintenance and for ordering spare parts as long as you use the tt-table.

- ★ At least **two adults** have to participate in the assembly of the tt-table which should be carried out on a clean and soft floor.
- ★ Before commencing the assembly ,check all the parts according to the Parts List and make sure that are all present and correct.
- ★ Please follow the ABC references for the order of the assembly.
- ★ If these is a **text mark** ,please read the explanation on page 10.
- ★ If these is a **part mark**,please read the information relating to it in the Parts List on page 11.
- ★ Please use the tools as indicated for each of the assembly stages.
- ★ Please do not twist the screws too tight when do assembly, and make sure that are all present and correct after commencing the assembly, check all the parts according to the part lists .
- ★ Operate correctly when open, fold and move on the table to preventing any accident like avoid injury your hands, feet,baby, pets, etc.
- ★ Maintenance instruction: please make sure the cleaning products are dry always when clean the top Water cleaning on the top is prohibited to avoid table top become out of shape, please avoid any hard articles to scrape or scratch the top.



—— Text mark

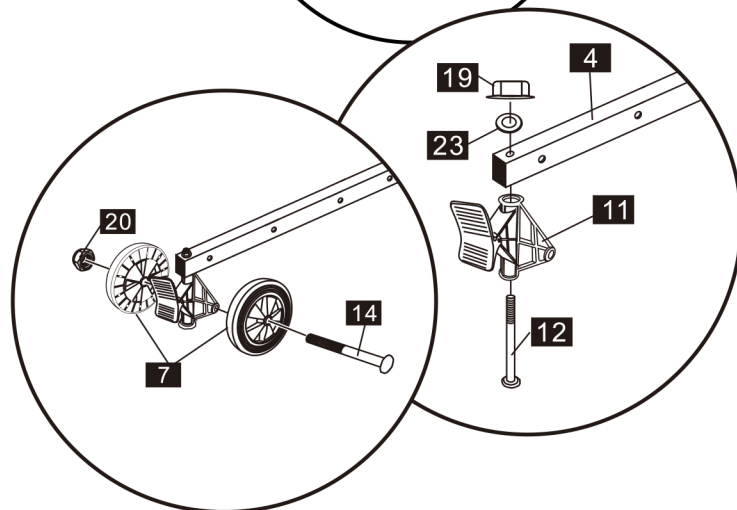
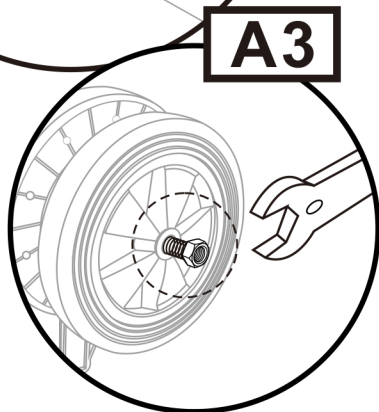
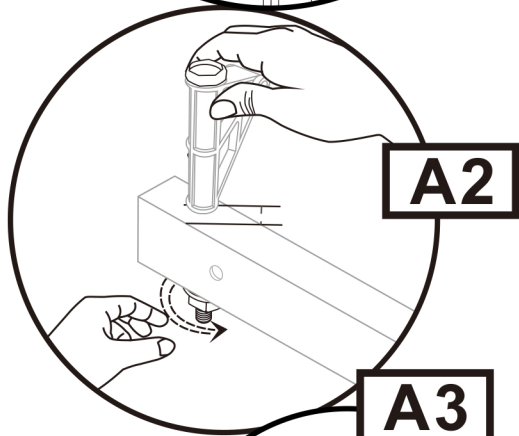
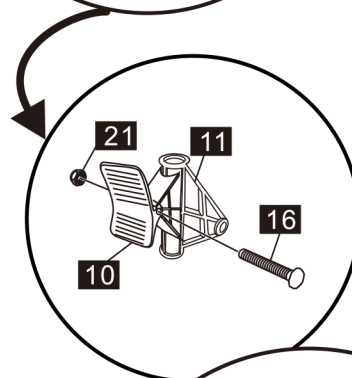
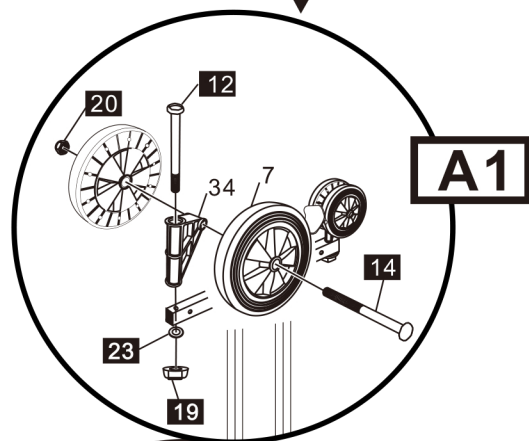
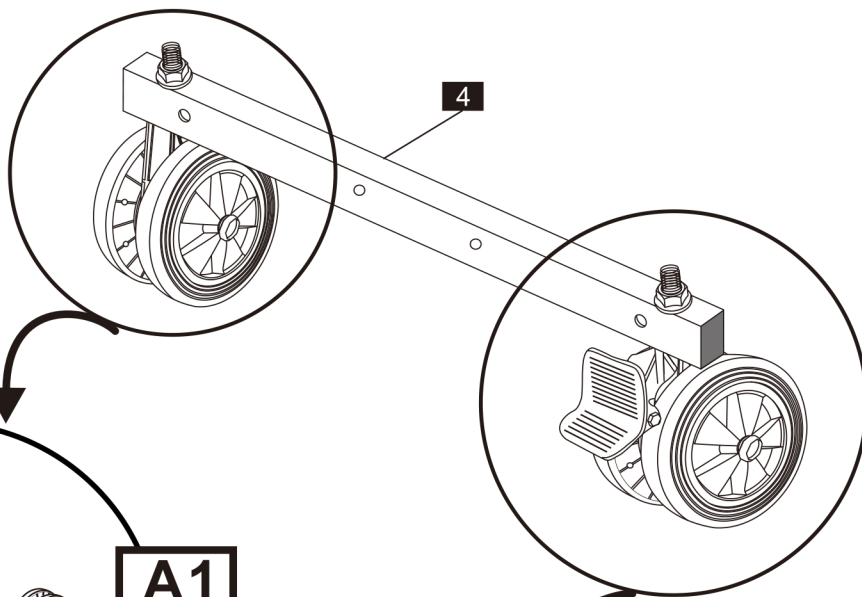


—— Tool

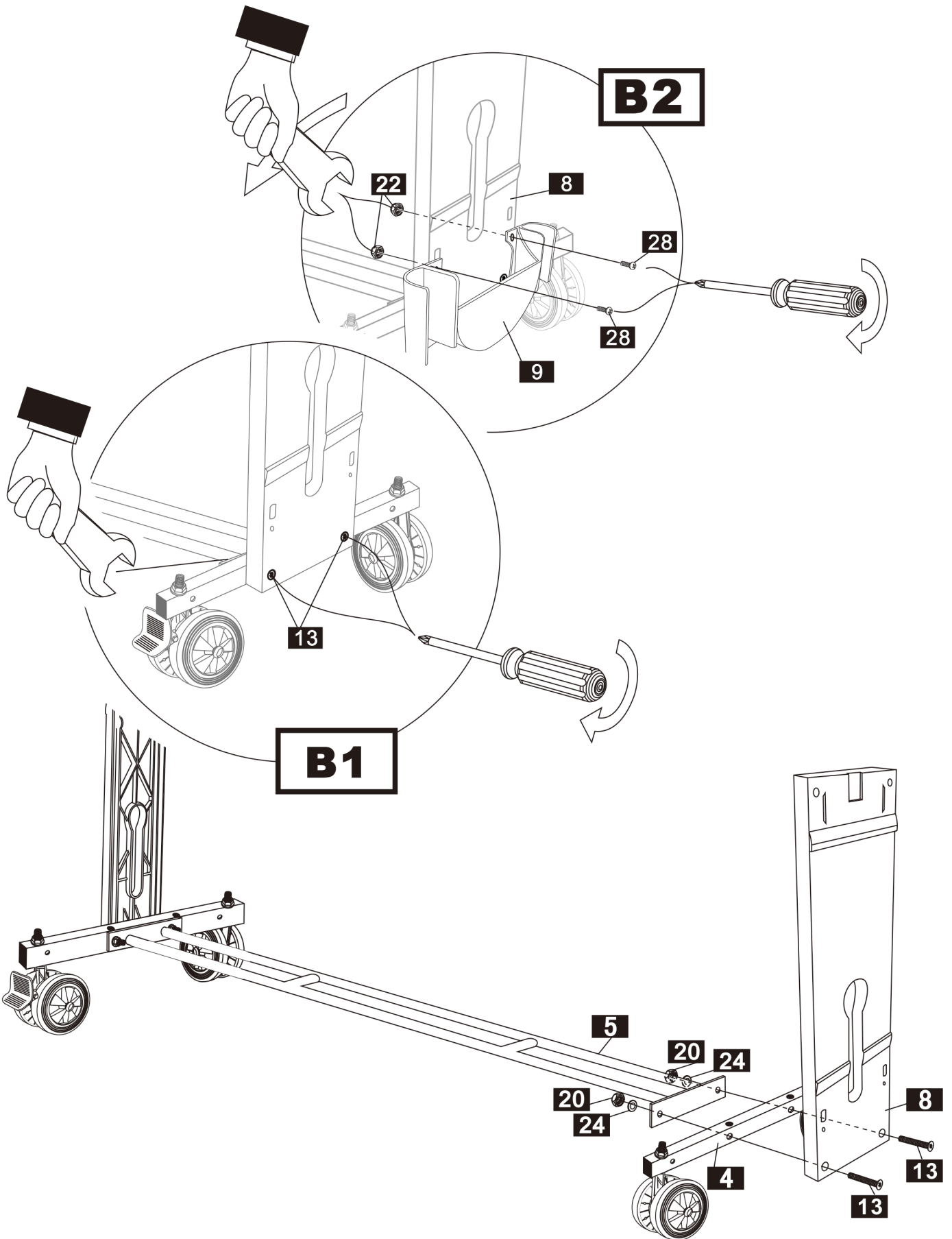
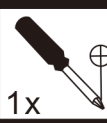
13

—— Part mark

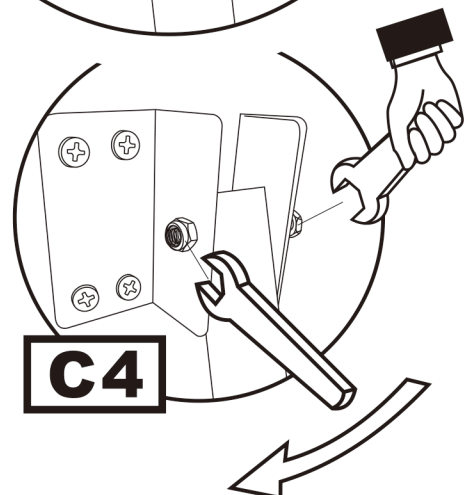
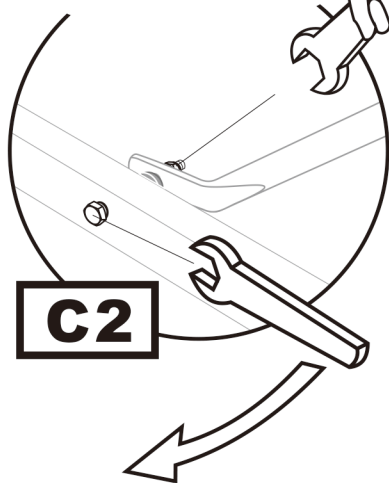
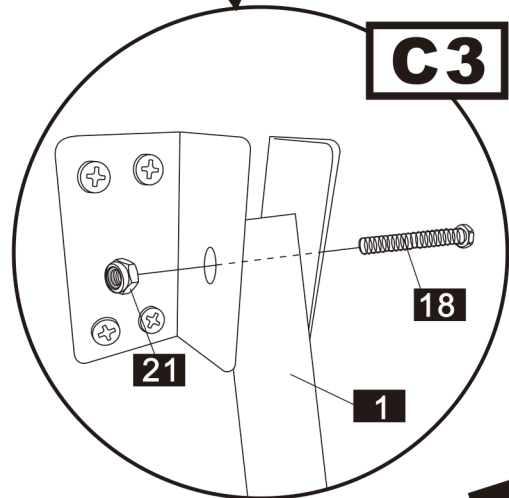
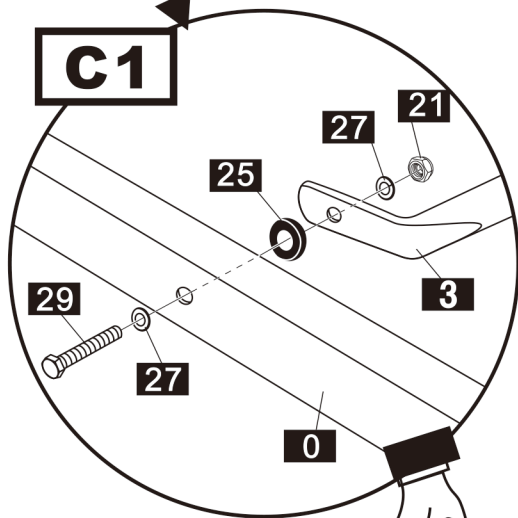
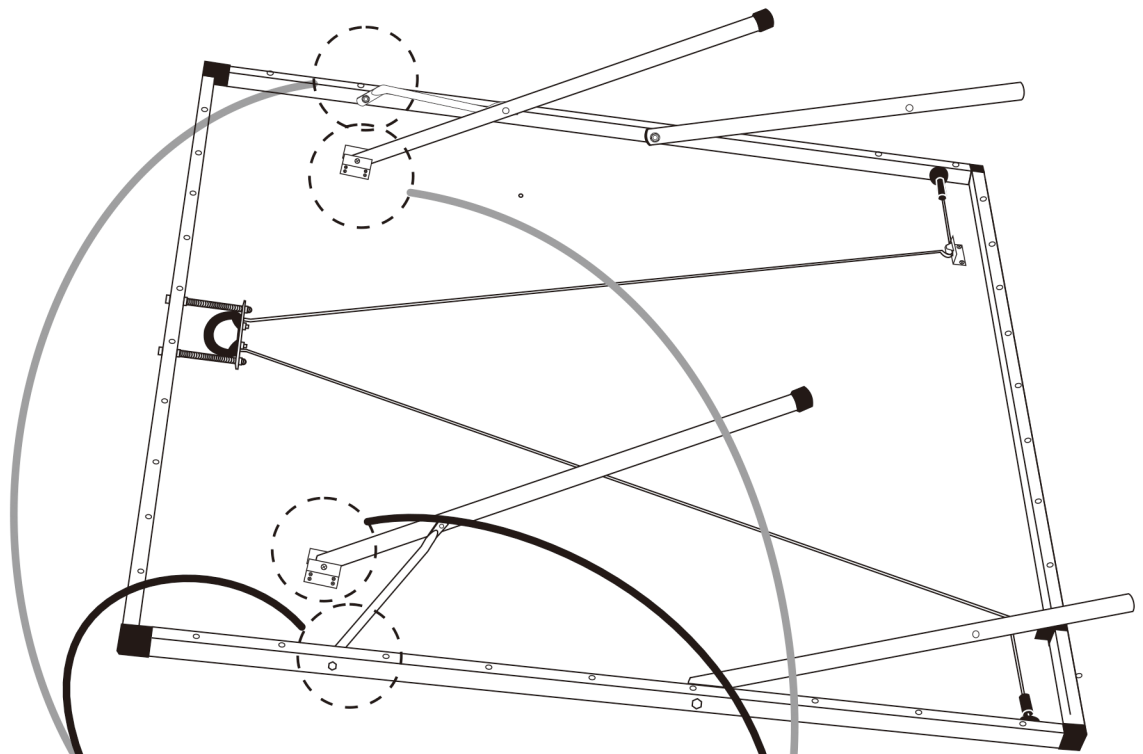
A



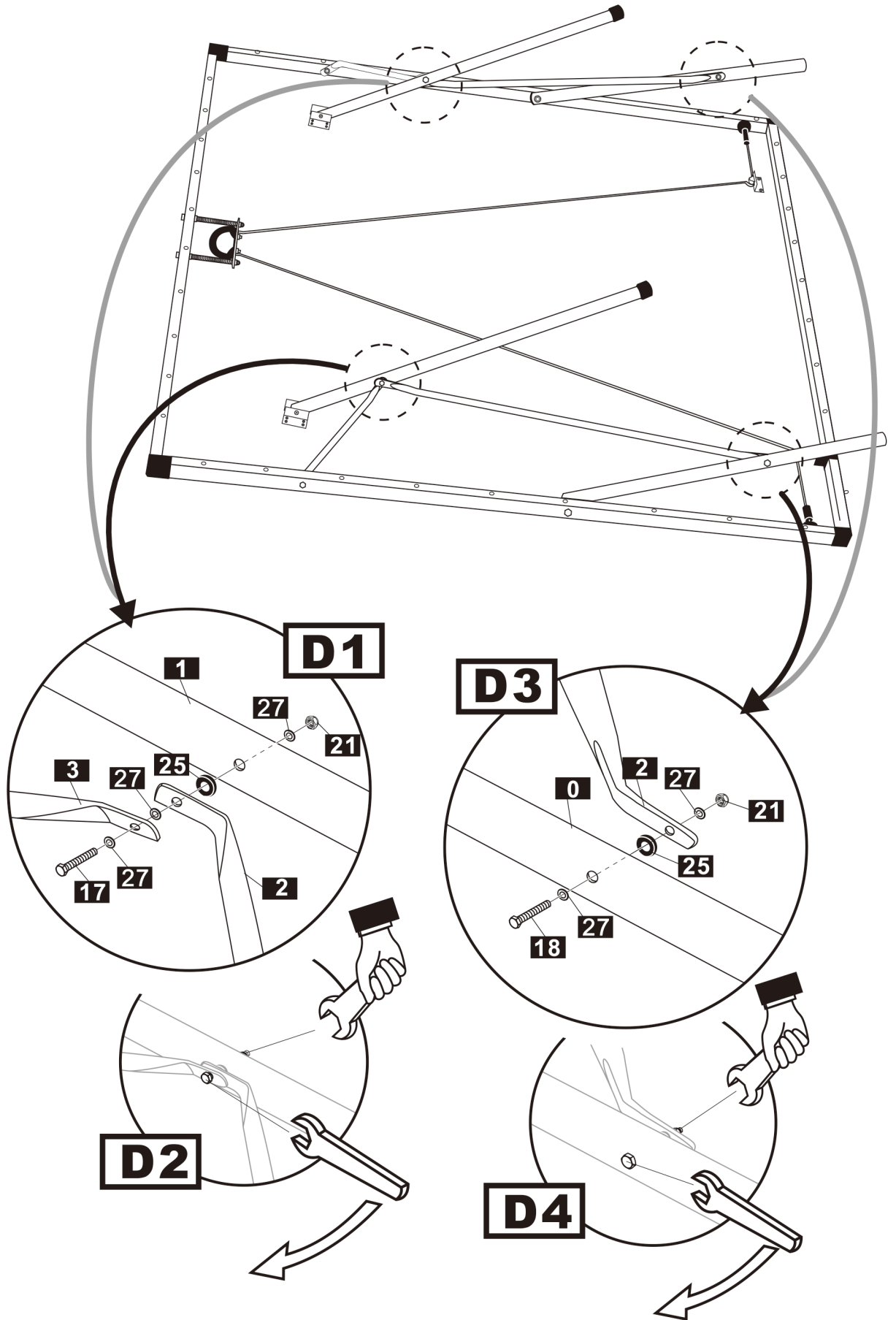
B



C

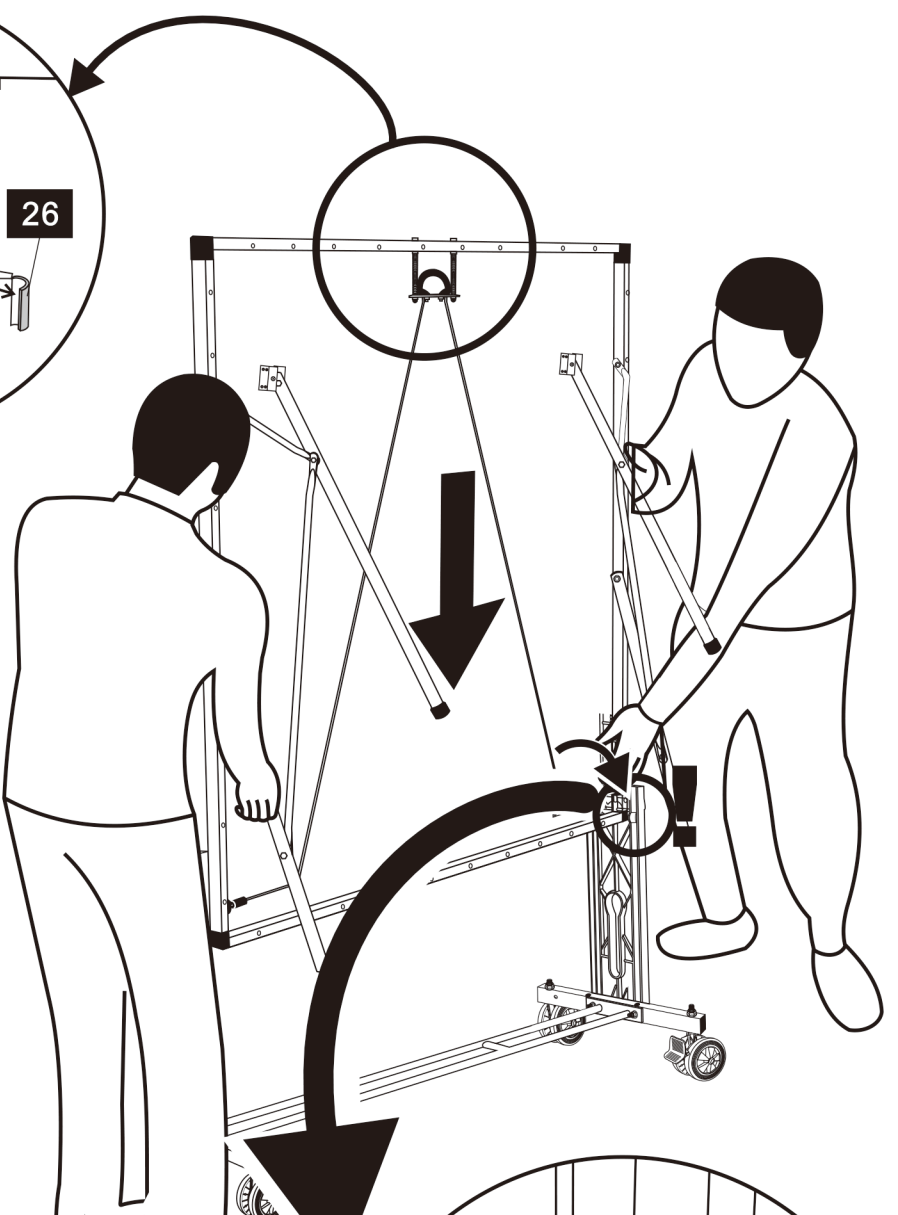
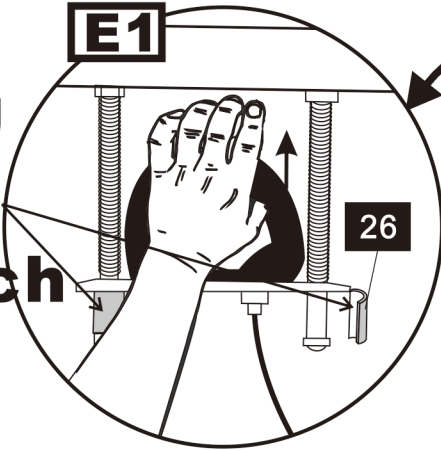


D



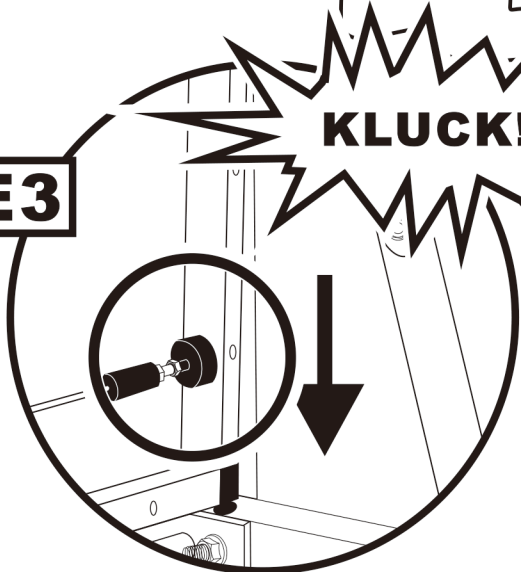
E1

! hitch

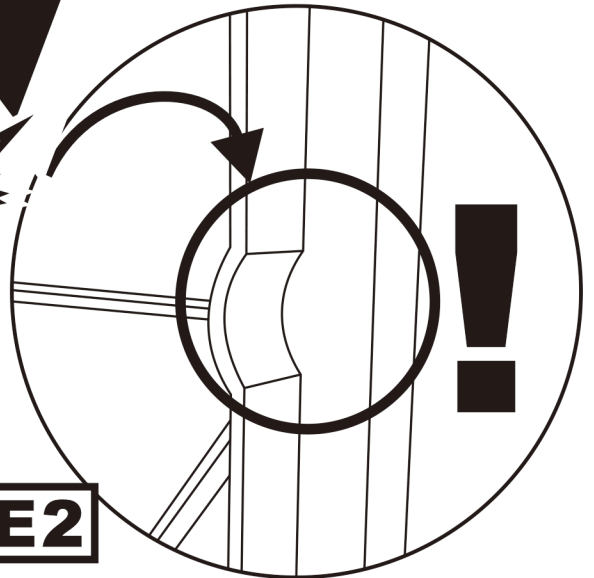


E3

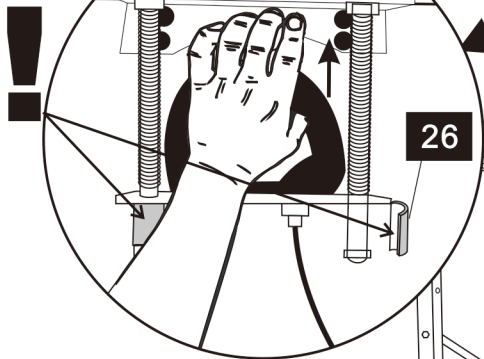
KLUCK!



E2

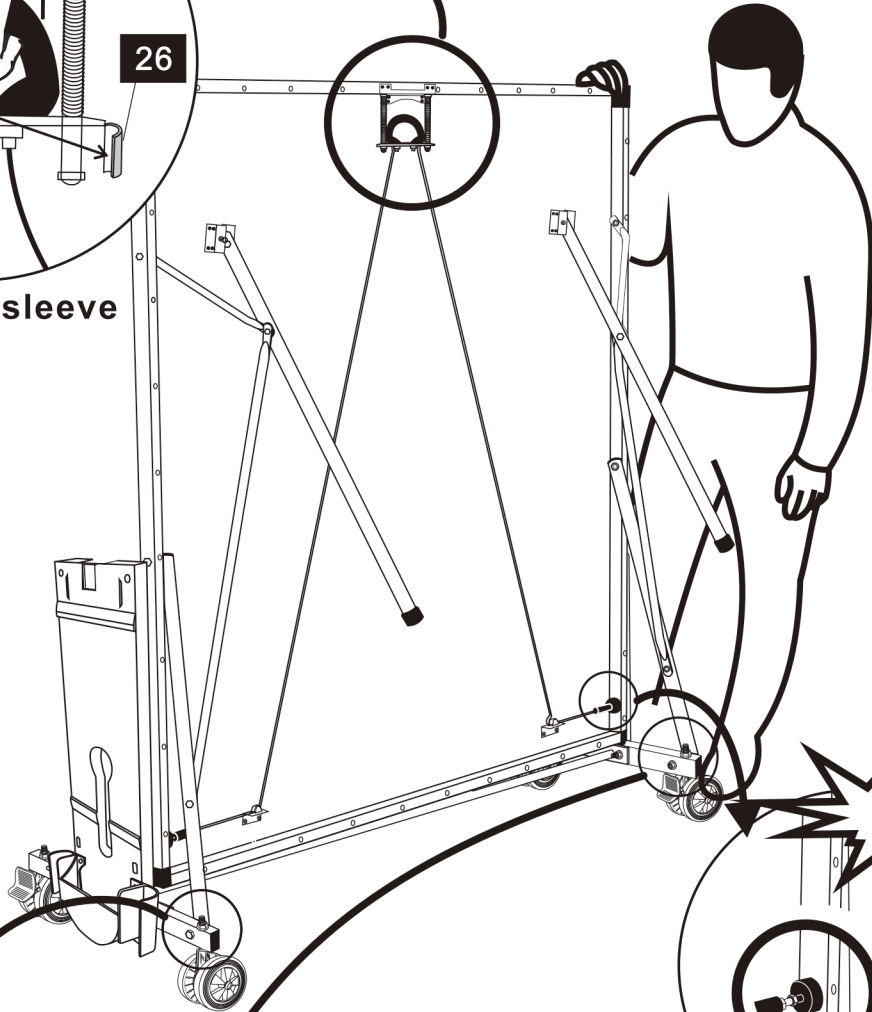


F1

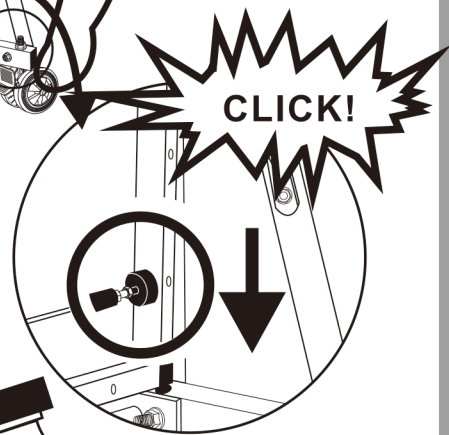


26

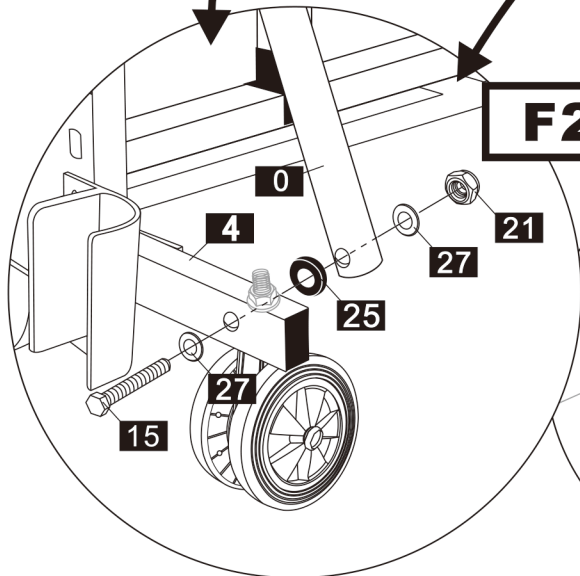
Take off spacer sleeve



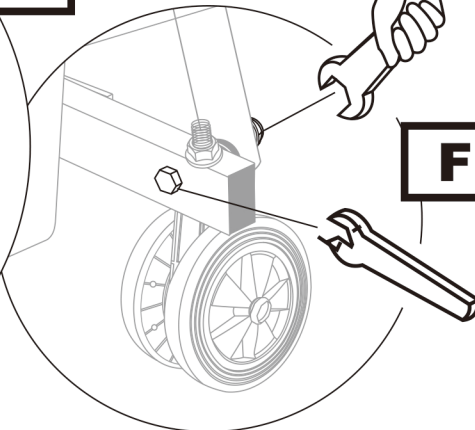
CLICK!



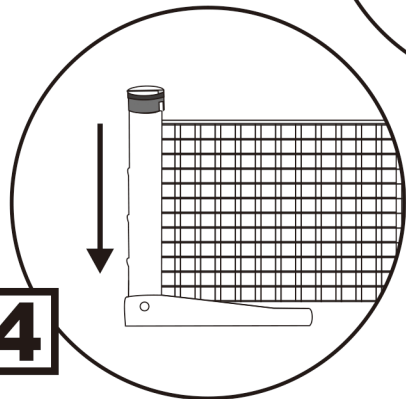
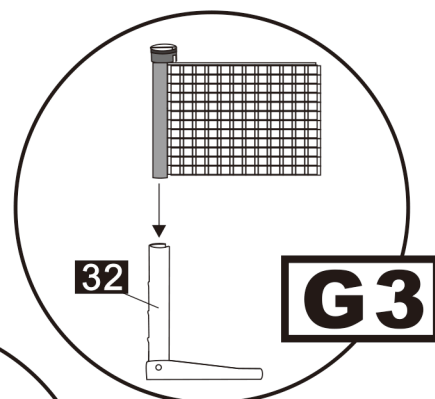
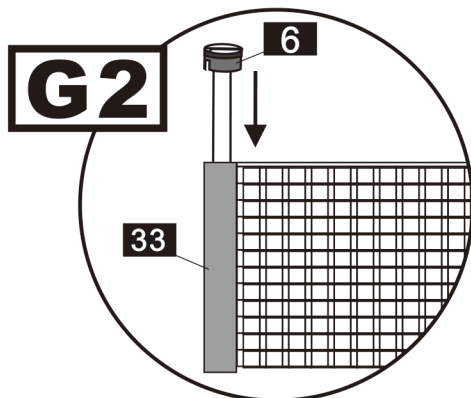
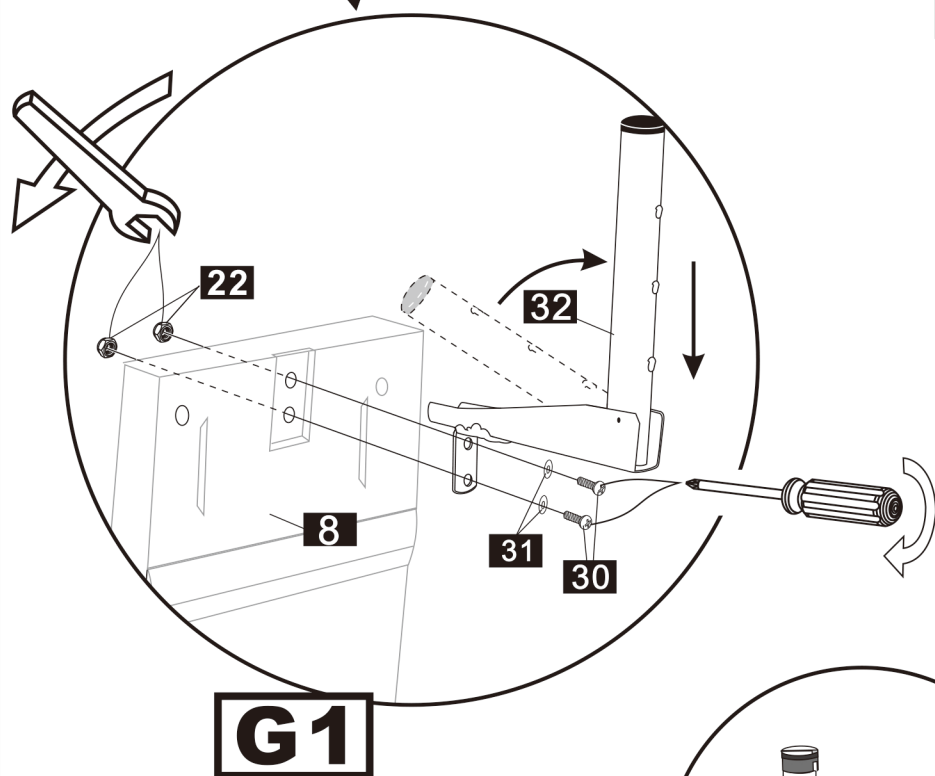
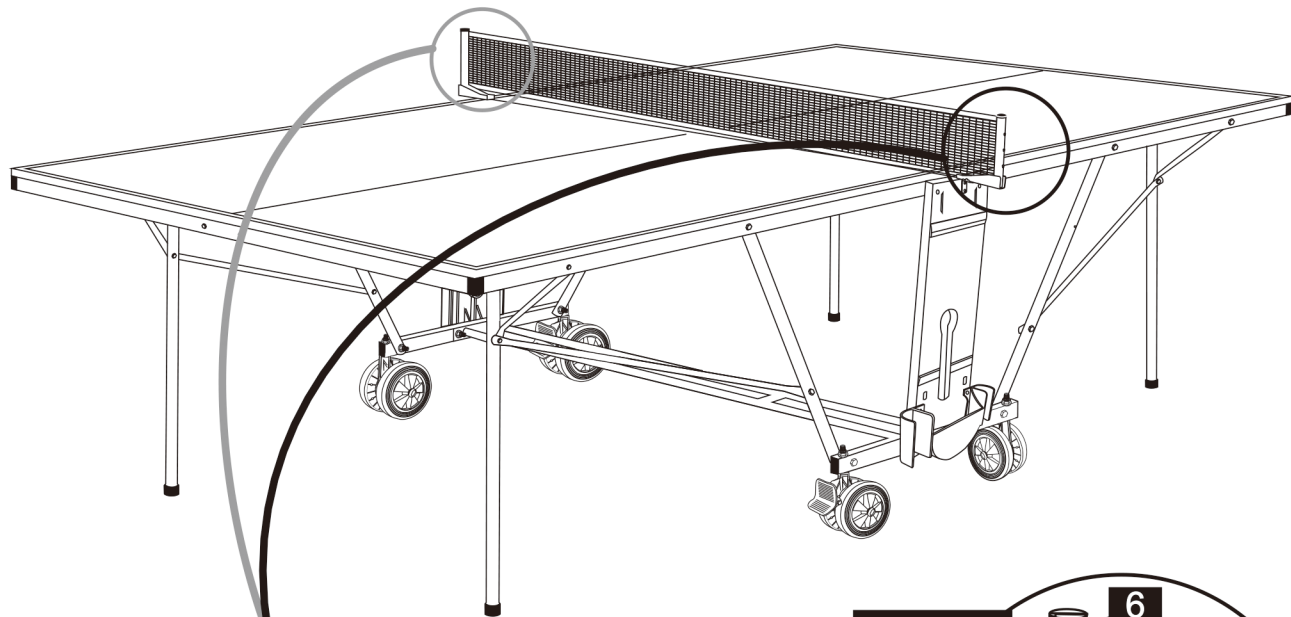
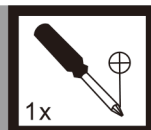
F2



F3



G



Test marks for the assembly



Please repeat these assembly steps with the second half top.

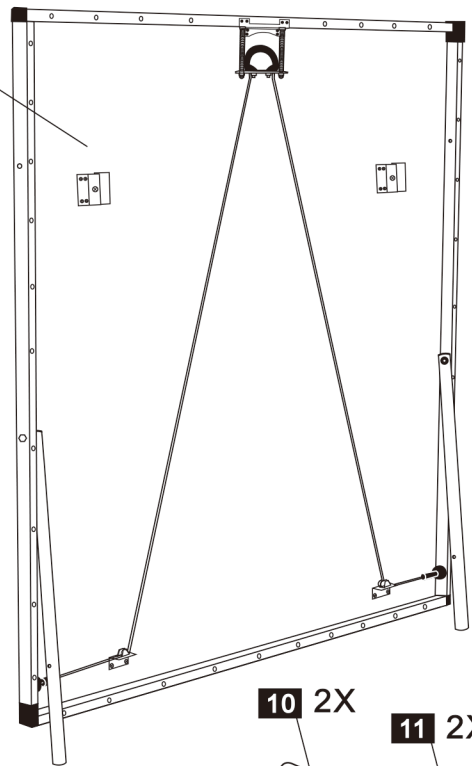


Go back to step “**c**” and assemble the second table top.



Please check all the working parts of the table in accordance with the Instructions for use (**page 11**) after you have completed assembly .If applicable please take care when removing the coating from the playing surface.

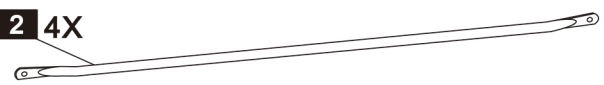
0
2X



1 4X



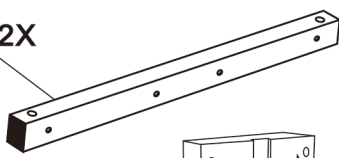
2 4X



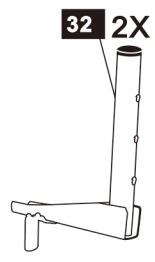
3 4X



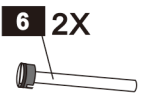
4 2X



32 2X



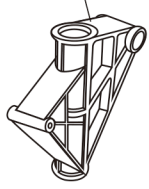
6 2X



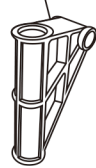
10 2X



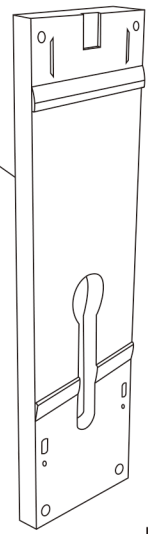
11 2X



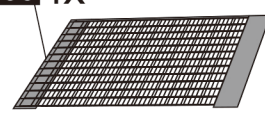
34 2X



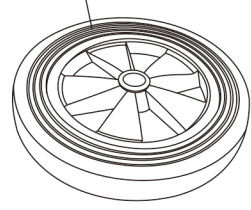
8 2X



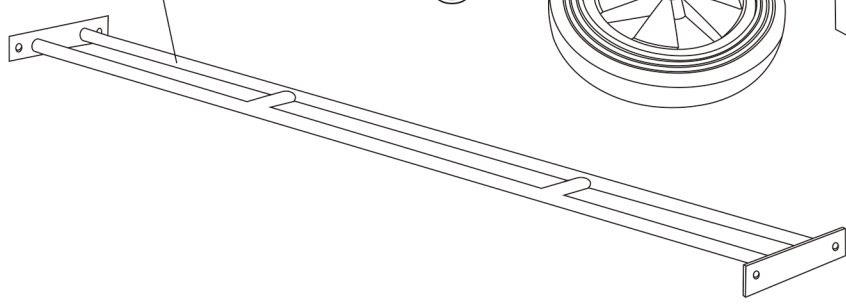
33 1X



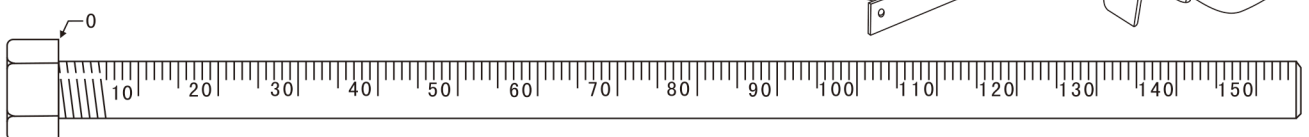
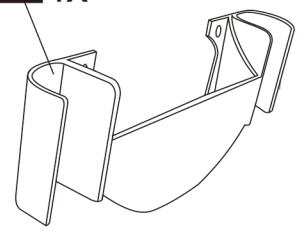
7 8X



5 1X



9 1X



12 4X
M12X140

13 4X
M8X60

14 4X
M8X85

15 4X
M8X60

16 2X
M6X75

17 4X
M6X45

18 8X
M6X40

19 4X
M12

20 12X
M8

21 22X
M6

22 6X
M5

23 4X
ø12

24 4X
ø8

25 16X
ø6

26 2X

27 32X
ø6

28 2X
M5X15

29 4X
M6X35

30 4X
M5X25

31 4X
R=5