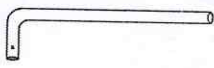
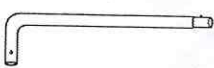
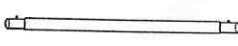
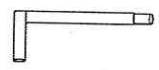
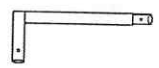


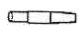

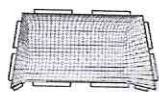


# SBA F183 Instruction Manual For Soccer Goal

## Part List

- |   |   |    |
|---|---|----|
| ① |            | X2 |
| ② |            | X2 |
| ③ |           | X2 |
| ④ |          | X1 |
| ⑤ |          | X1 |
| ⑥ |          | X2 |
| ⑦ |          | X2 |
| ⑧ |          | X2 |
| ⑨ |  M6×50mm | X4 |
| ⑩ |          | X1 |

