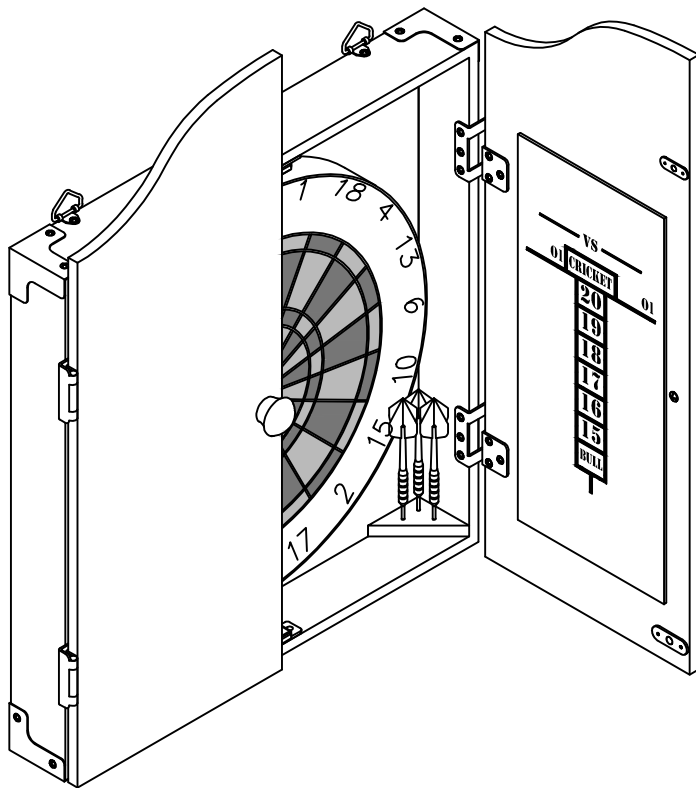
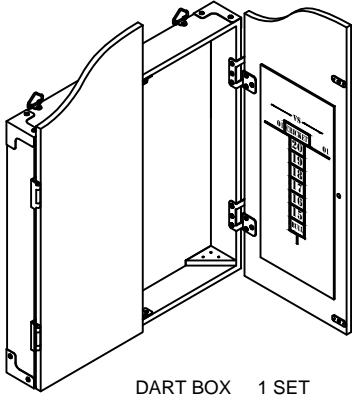
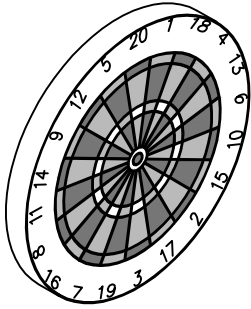


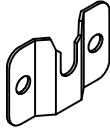








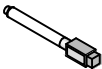


DARTBOARD CABINET

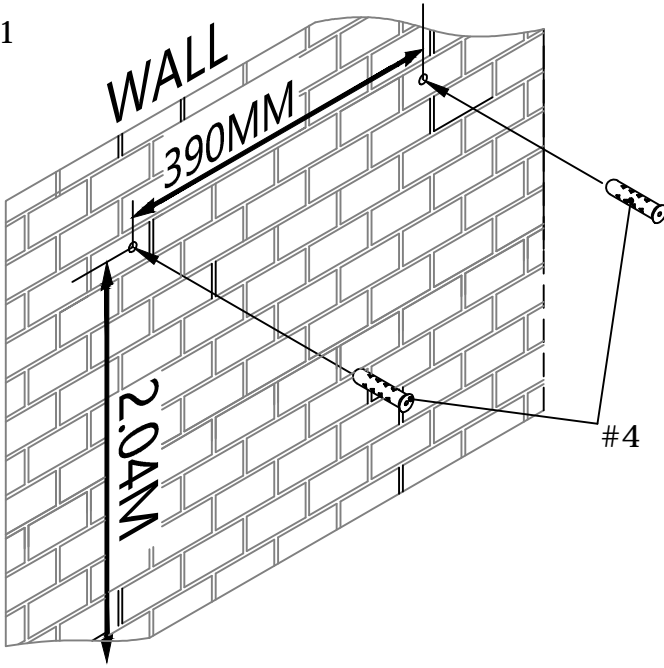
ASSEMBLY INSTRUCTION



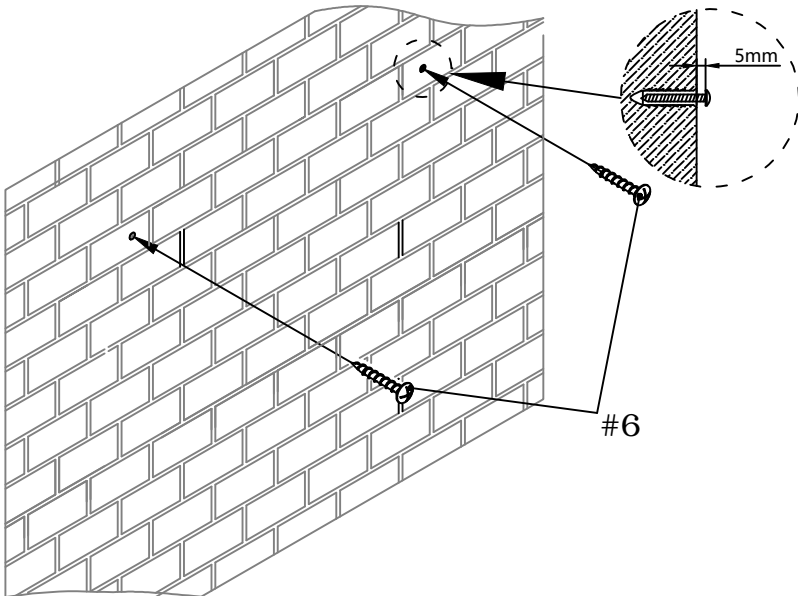
PARTS LIST

<p>#1</p>  <p>DART BOX 1 SET</p>	<p>#2</p>  <p>DART BOARD 1 PC</p>		
<p>#3</p>  <p>DRAWER KNOB 2 SETS</p>	<p>#4</p>  <p>SCREW ANCHOR 2 PCS</p>	<p>#5</p>  <p>MOUNTING PLATE 1 PC</p>	<p>#6</p>  <p>SCREW 3 PCS</p>
<p>#7</p>  <p>BOLT 2 PCS</p>	<p>#8</p>  <p>LOCK NUT 2 PCS</p>	<p>#9</p>  <p>WASHER 4 PCS</p>	<p>#10</p>  <p>BUMPER MOLDED 3 PCS</p>
<p>#11</p>  <p>NAIL 3 PCS</p>	<p>#12</p>  <p>DART 6 PCS</p>	<p>#13</p>  <p>FLIP - BLACK & WHITE 6 PCS</p>	<p>#14</p>  <p>DRY ERASE MARKER 1 PC</p>

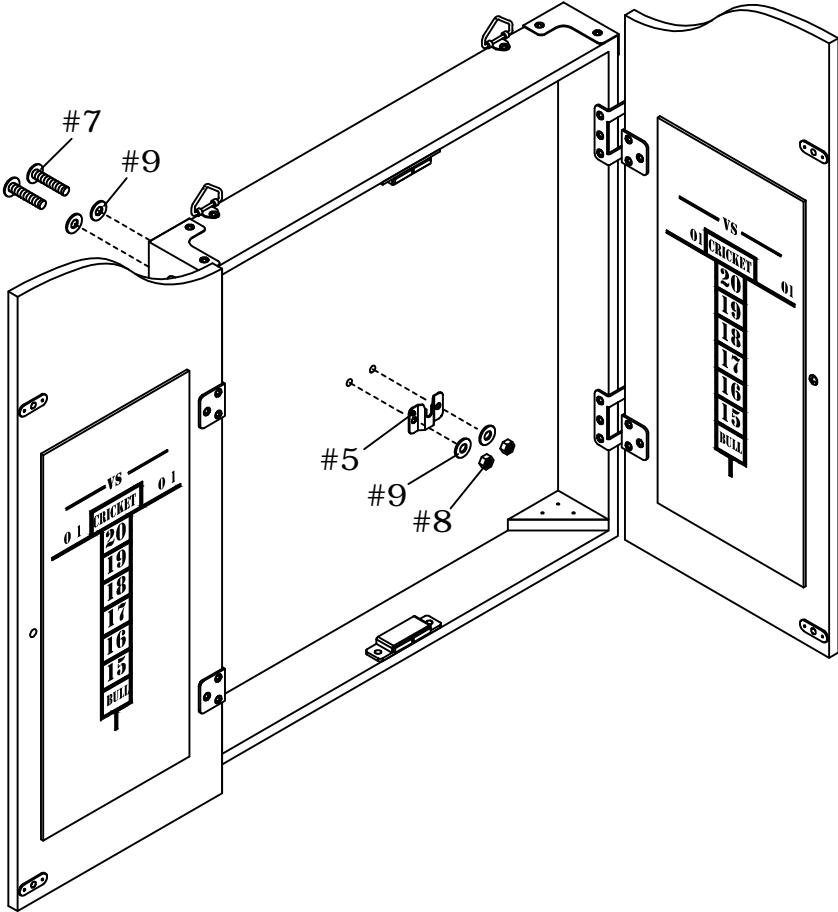
STEP 1



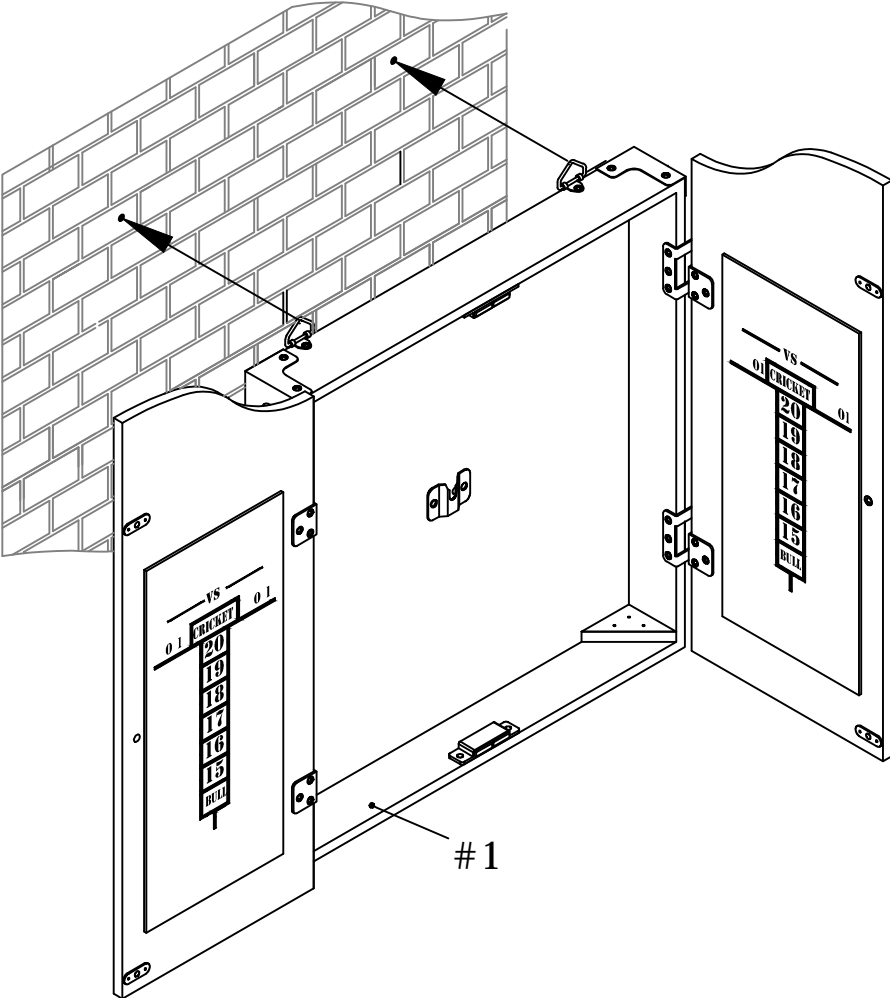
STEP 2



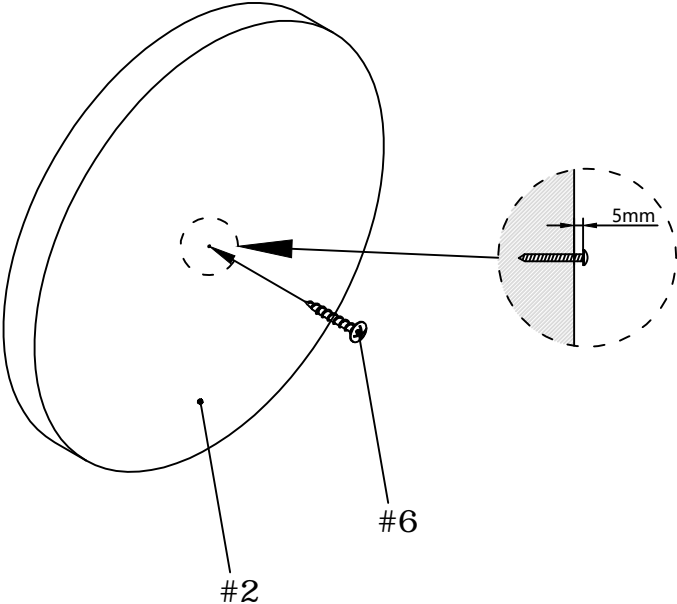
STEP 3



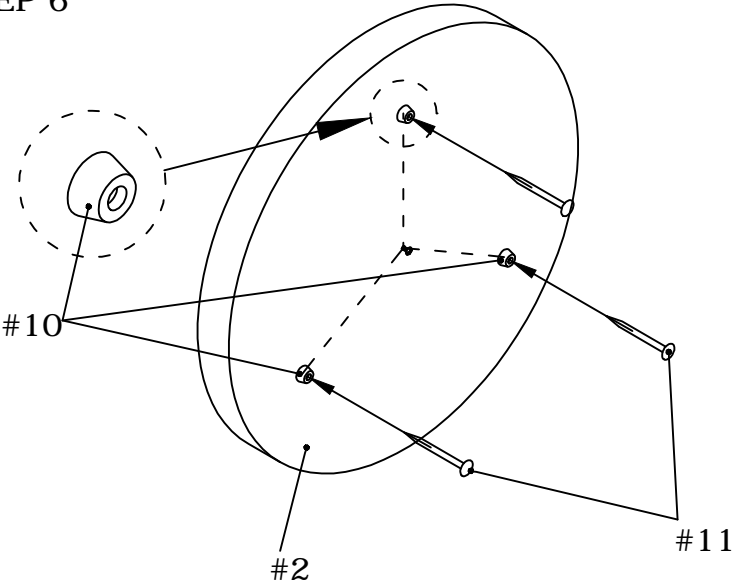
STEP 4



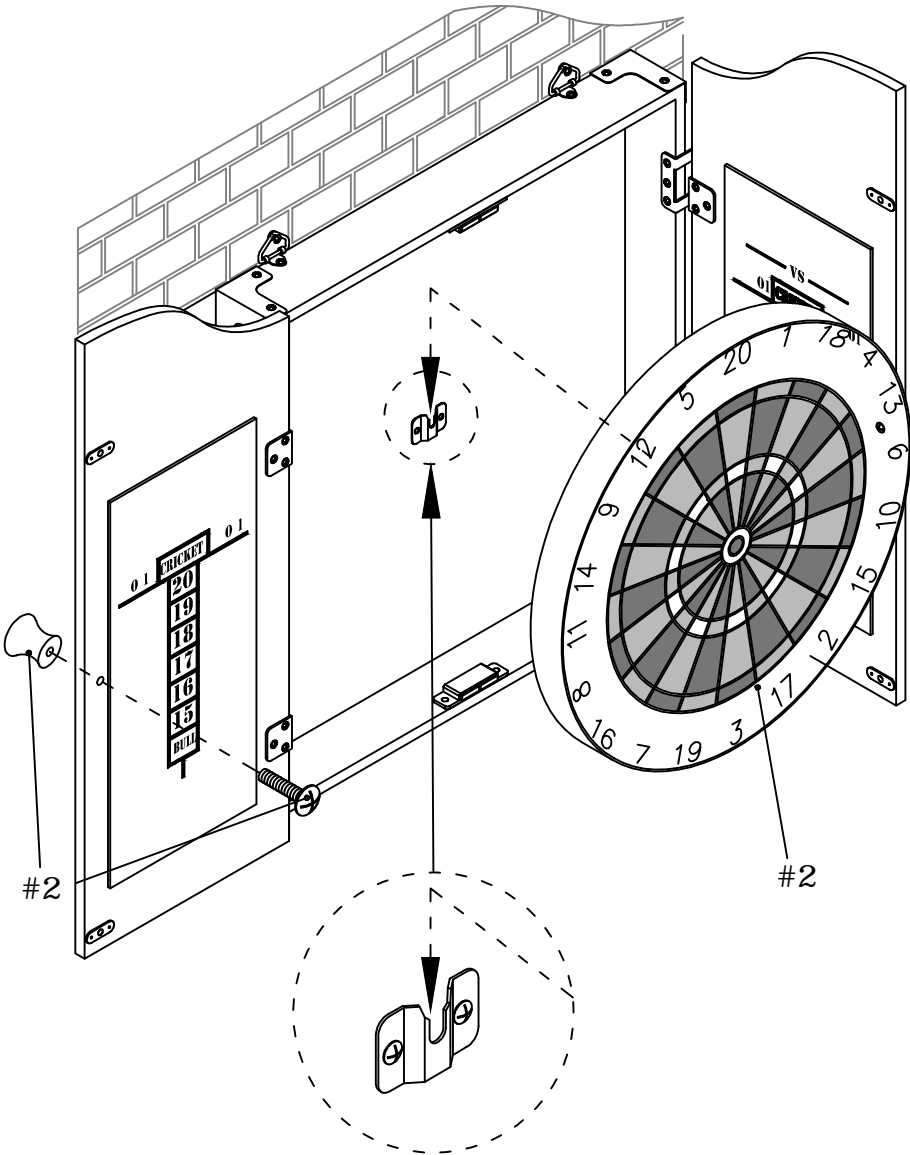
STEP 5



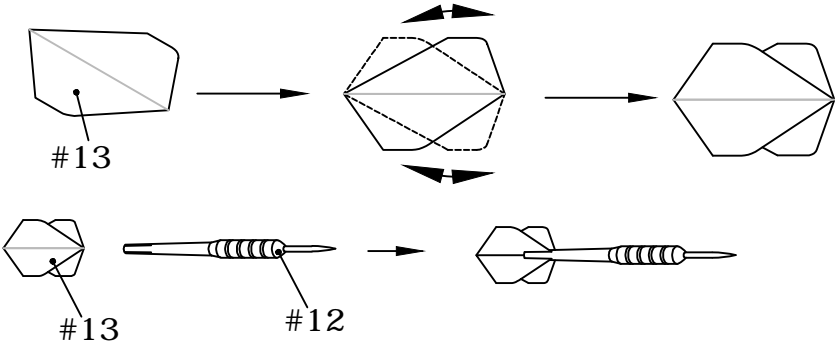
STEP 6



STEP 7



STEP 8



STEP 9

