

PEGASI

INSTRUCTION MANUAL FOR BASKETBALL STAND



CE



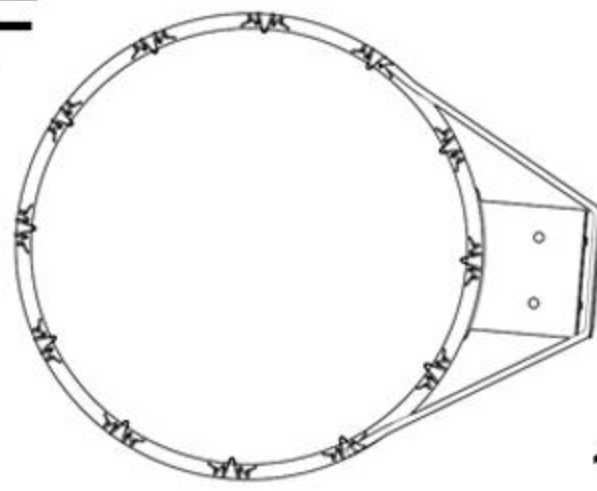




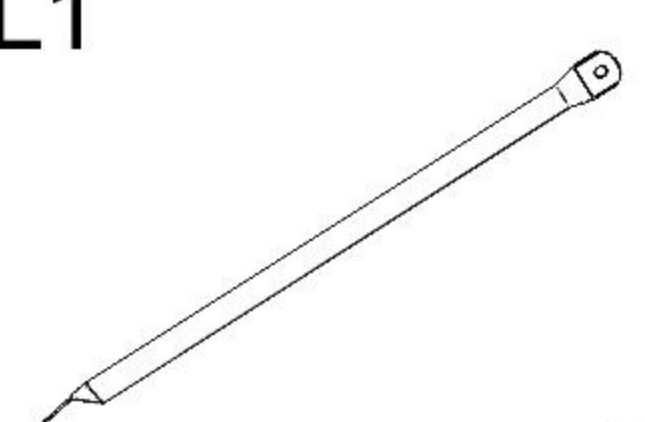
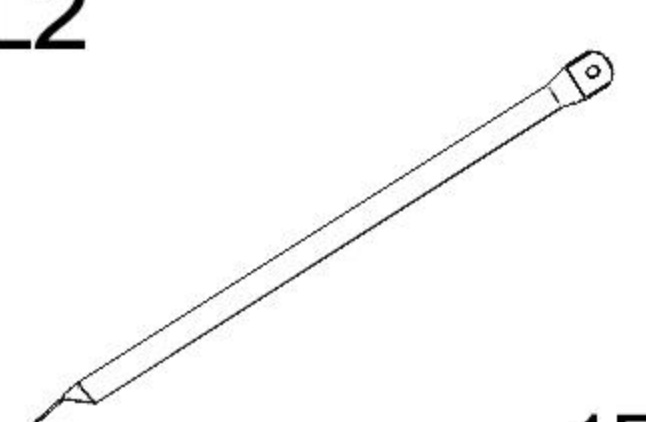

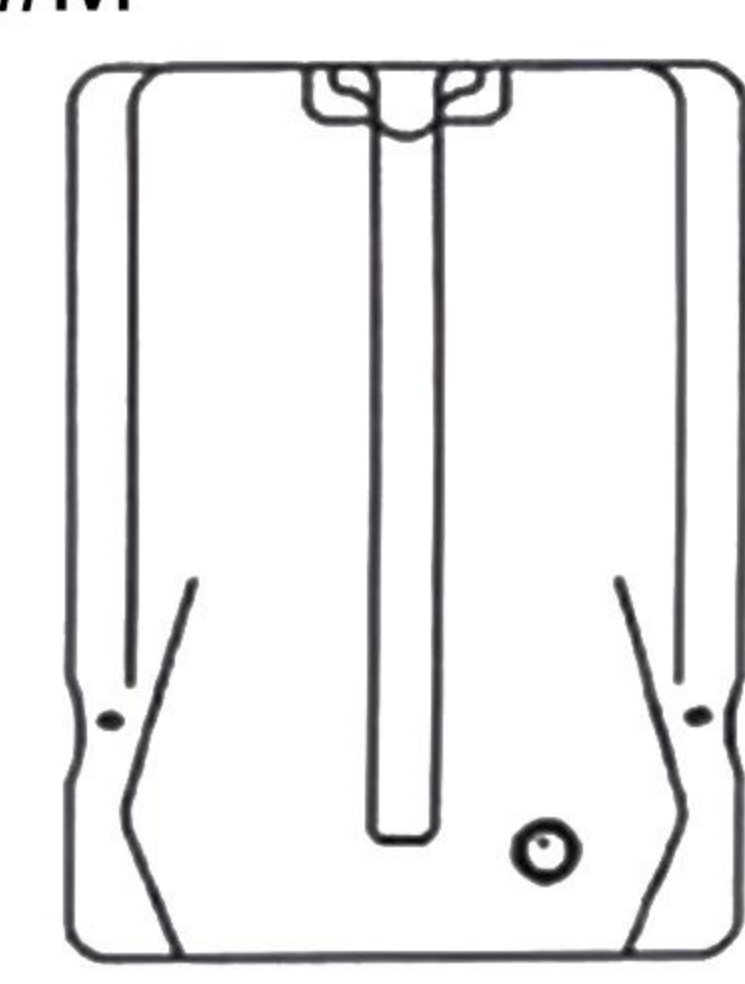



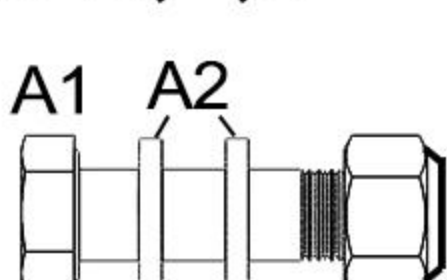
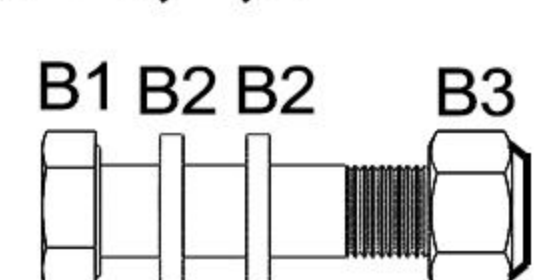
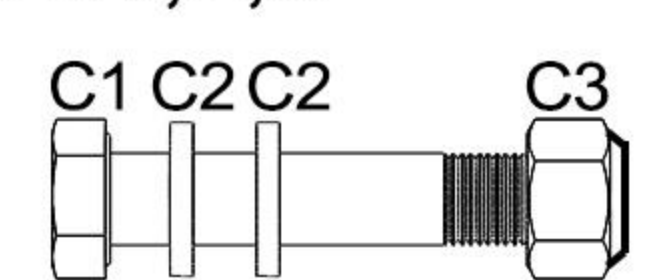
WARNING:
IMPROPER INSTALLATION OR
SWINGING ON THE RING MAY
CAUSE SERIOUS INJURY
OR DEATH

Notice to assemblers:

*All the basketball systems, including those used for displays must be assembled and ballasted according to instructions. Failure to follow instructions could result in serious injury.

*Please read all warnings and cautions before assembly. It is recommended to supervise children as they play with this product. This product is to be assembled by 2 adults only!

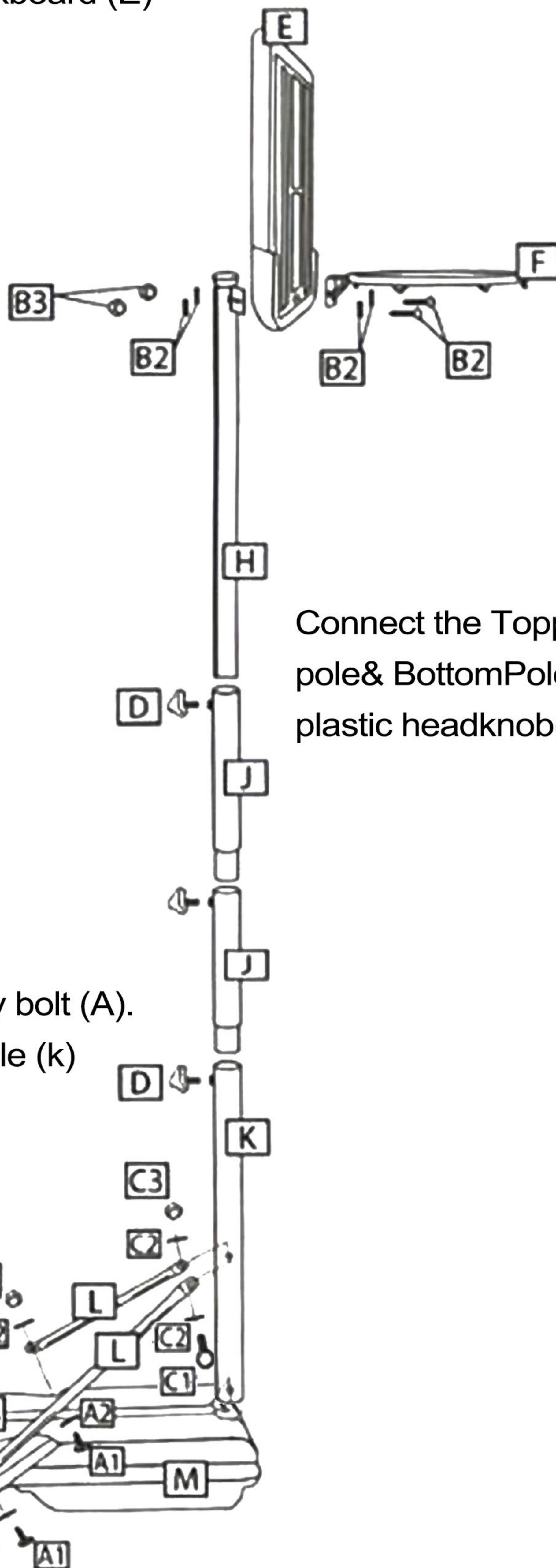
PARTS LIST

| | | | |
|---|---|---|--|
| <p>#F</p>  <p>1PC</p> | <p>#O</p>  <p>2PCS</p> | <p>#G</p>  <p>1PC</p> | <p>#P</p>  <p>1PC</p> |
| <p>#D</p>  <p>3PCS</p> | <p>#L1</p>  <p>1PC</p> | <p>#L2</p>  <p>1PC</p> | |
| <p>#E</p>  <p>1PC</p> | <p>#M</p>  <p>1PC</p> | <p>#H</p>  <p>1PC</p> <p>#K</p>  <p>1PC</p> | |
| <p>#J</p>  <p>2PCS</p> | | | |
| <p>#A1,2,3</p>  <p>8X16MM 2PCS</p> | <p>#B1,2,3</p>  <p>8X30MM 2PCS</p> | <p>#C1,2,3</p>  <p>8X50MM 1PC</p> | |

Assemble the Base

Assembling the base main pole

Install Rim(F) & Top Pole (H) on Backboard (E) by Bolt Set(B) as shown.



Connect the Toppole(H) & Middle pole & Bottom Pole as shown, by plastic headknob(D)

Connect base brace(L) to base(M) by bolt (A).
Connect Base brace(L) to bottom pole (k) by bolt (C).

ASSEMBLY

Attach the net (G) to the hoop (F) as shown.



BASECOUNTERWEIGHT

Filling the Base (M) with water or sand to keep steady

