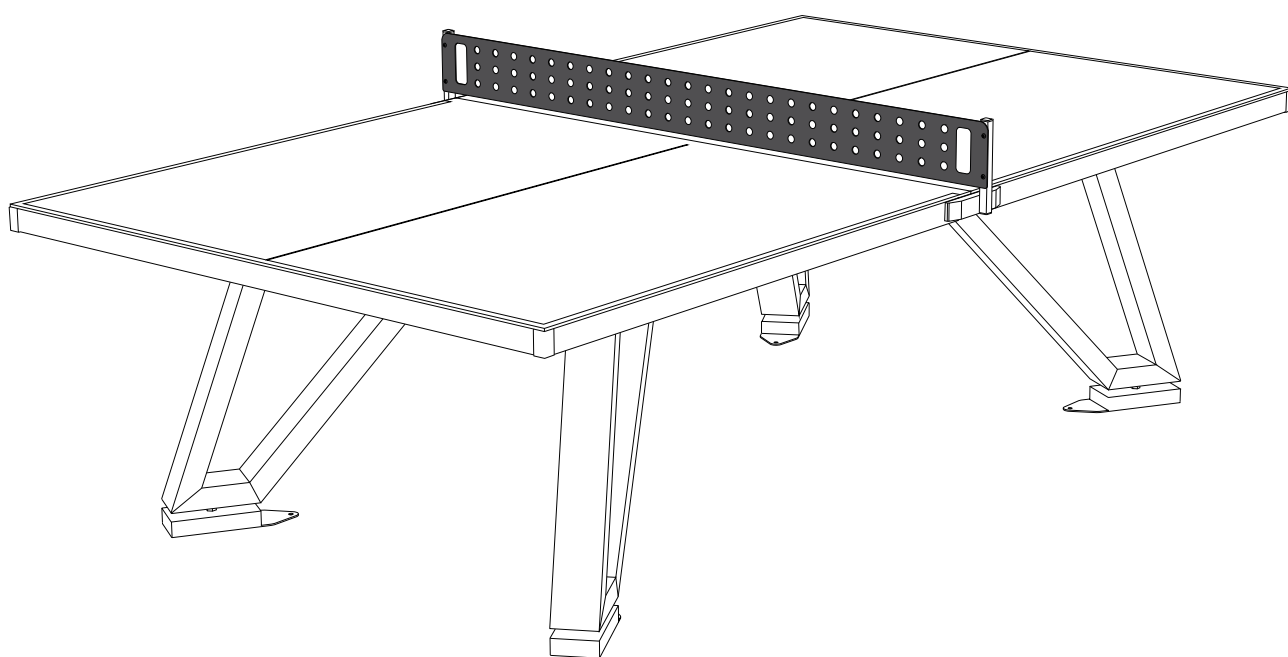


PEGASI

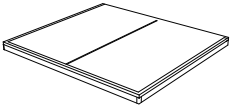
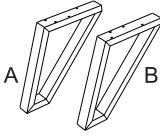
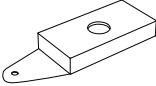
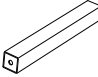
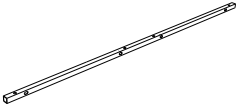
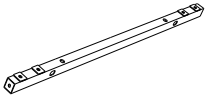

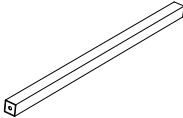
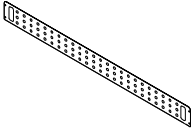
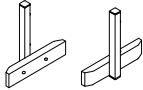

PING PONG TABLE

PEG-TOUTPRO-BLACK

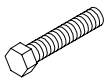
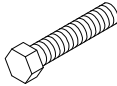
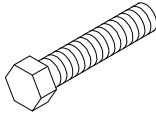
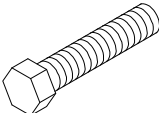
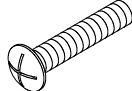




ASSEMBLY INSTRUCTIONS



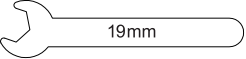
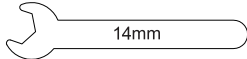
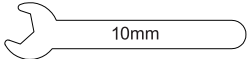
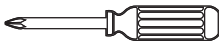
PARTS LIST / TEILELISTE / LISTE DES PIECES / LISTA DE PARTES

<p>1</p>  <p>x2</p>	<p>2</p>  <p>x4</p>	<p>3</p>  <p>x4</p>	<p>4</p>  <p>x4</p>	<p>5</p>  <p>x2</p>
<p>6</p>  <p>x2</p>	<p>7</p>  <p>x2</p>	<p>8</p>  <p>x2</p>	<p>9</p>  <p>x1</p>	<p>10</p>  <p>x2</p>
<p>11</p>  <p>x1</p>				

HARDWARE SET AND PARTS / HARDWARE-SET UND TEILE

<p>H1</p>  <p>M6x50mm x4</p>	<p>H2</p>  <p>M8x40mm x 36</p>	<p>H3</p>  <p>M8 x 70mm x16</p>	<p>H4</p>  <p>M12 x 50mm x4</p>	<p>H5</p>  <p>M6x16 x4</p>
<p>H6</p>  <p>M6 Plastic xØ22x2 x4</p>	<p>H7</p>  <p>M8 Plastic xØ25 x2 x 48</p>	<p>H8</p>  <p>M12 Plastic xØ30 x3 x4</p>	<p>H9</p>  <p>M12 x4</p>	

The following tools are required for installation (not provide)

<p>A</p>  <p>19mm Wrench x1</p>	<p>B</p>  <p>14mm Wrench x1</p>	<p>B</p>  <p>10mm Wrench x1</p>	<p>C</p>  <p>Phillips screwdriver x1</p>
---	---	---	---

ASSEMBLY INSTRUCTIONS

FIG.1

Note:
There are square spacers
facing upwards !

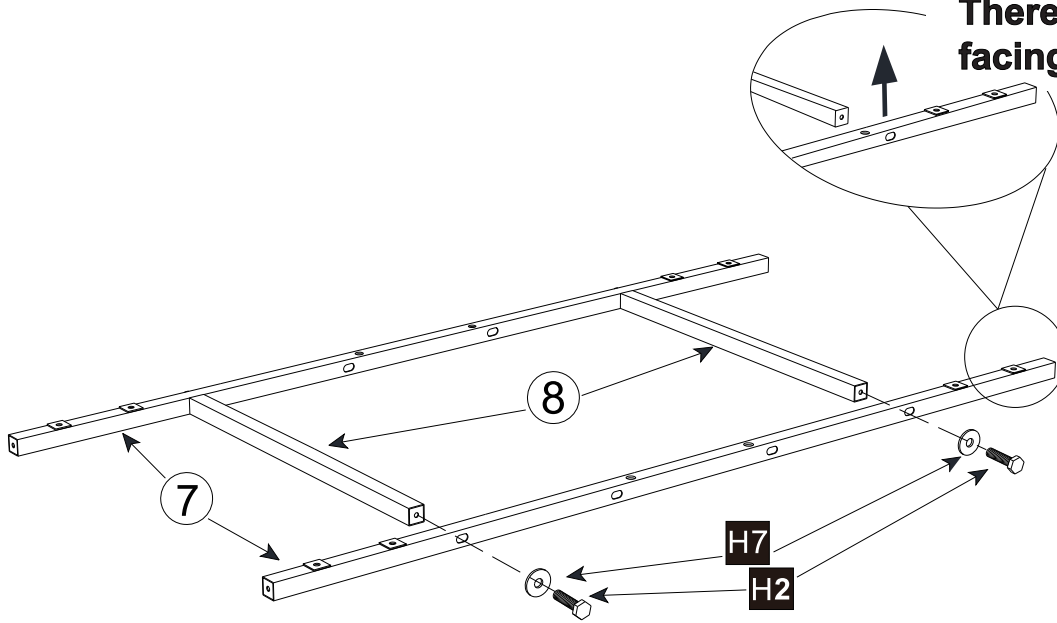
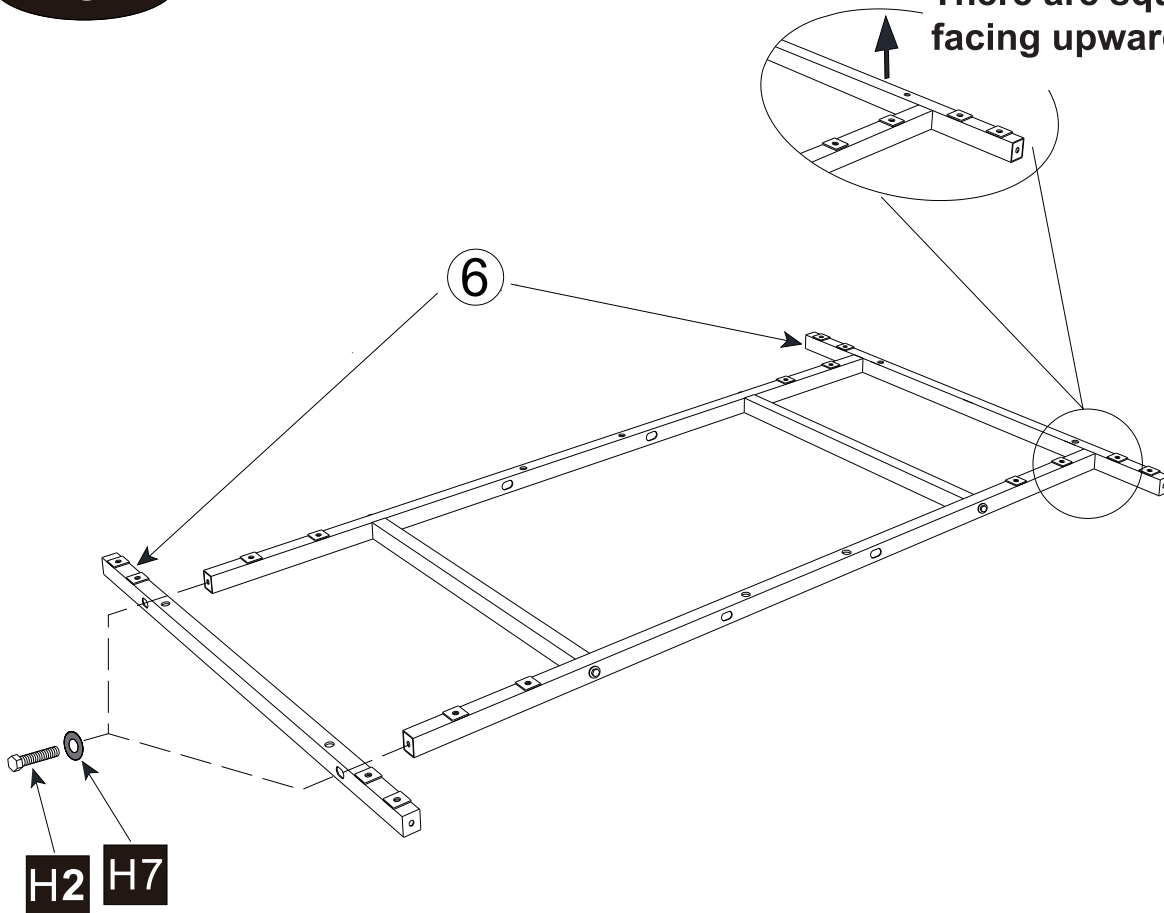


FIG.2

Note:
There are square spacers
facing upwards !



ASSEMBLY INSTRUCTIONS

FIG.3

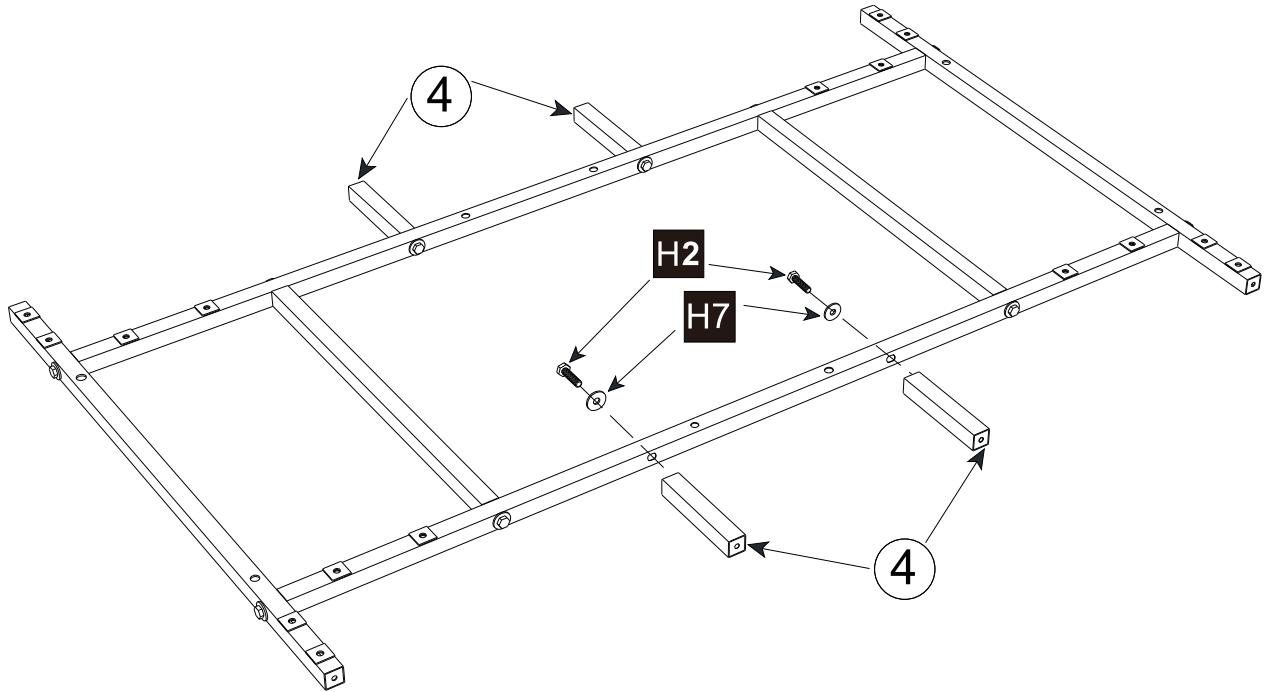
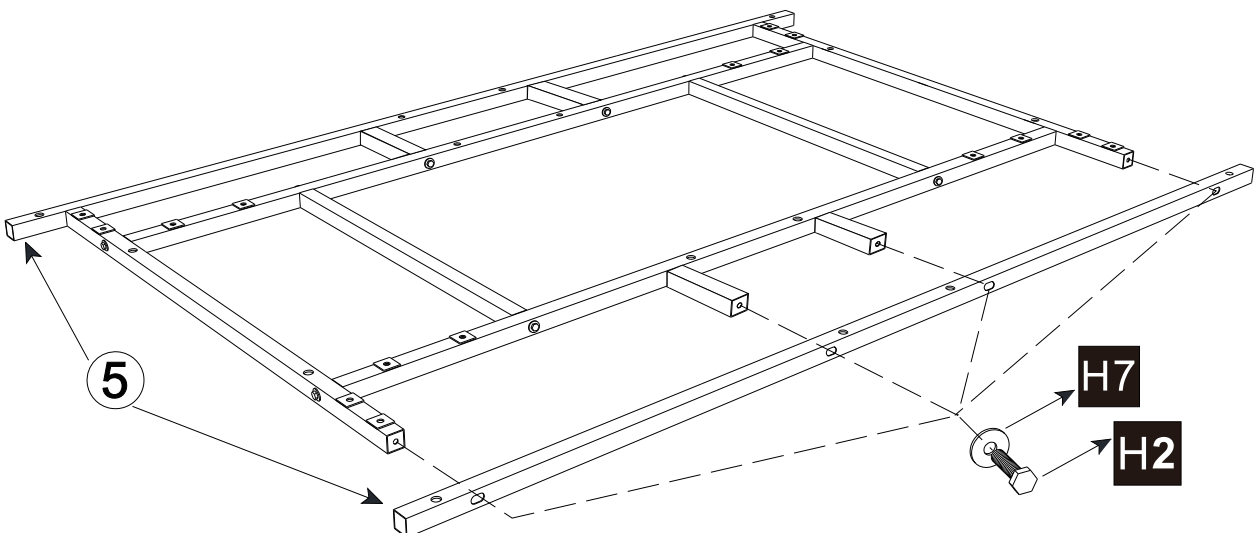


FIG.4



ASSEMBLY INSTRUCTIONS

FIG.5

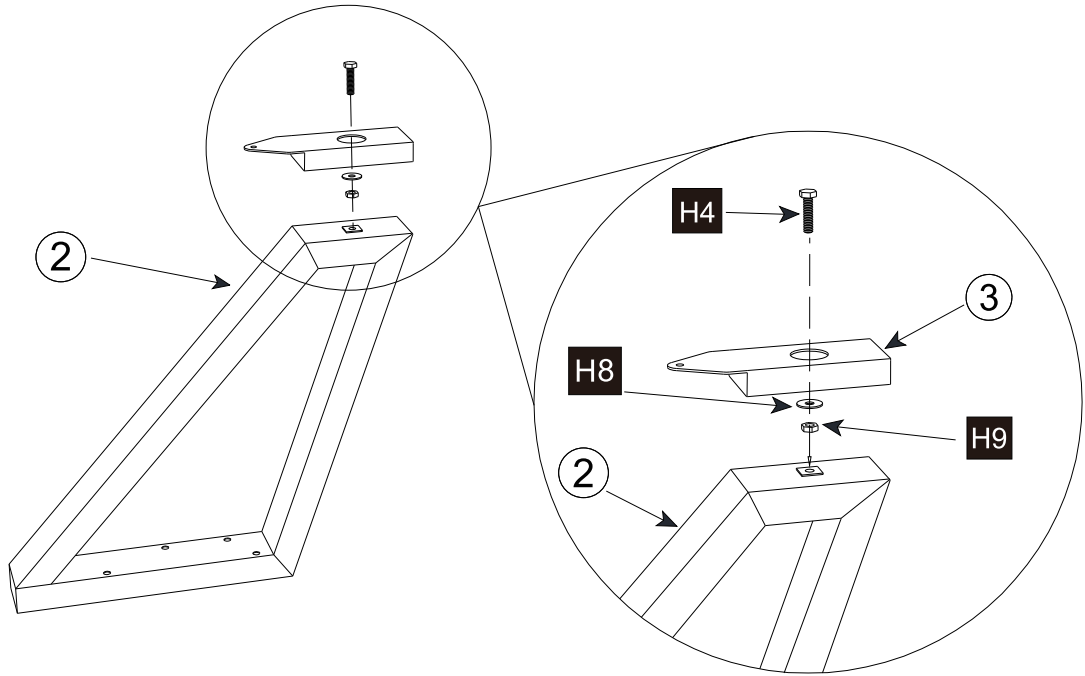
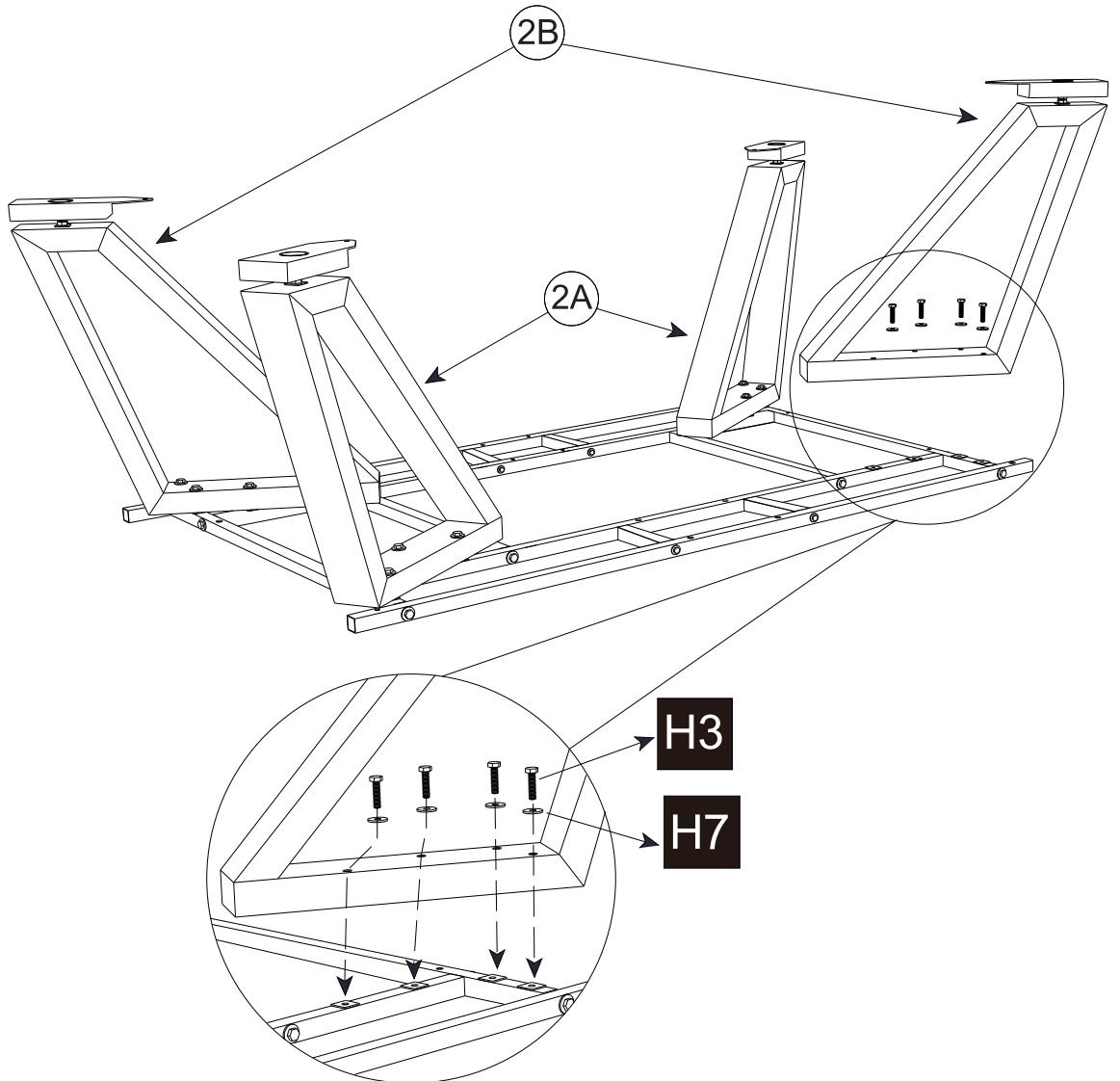
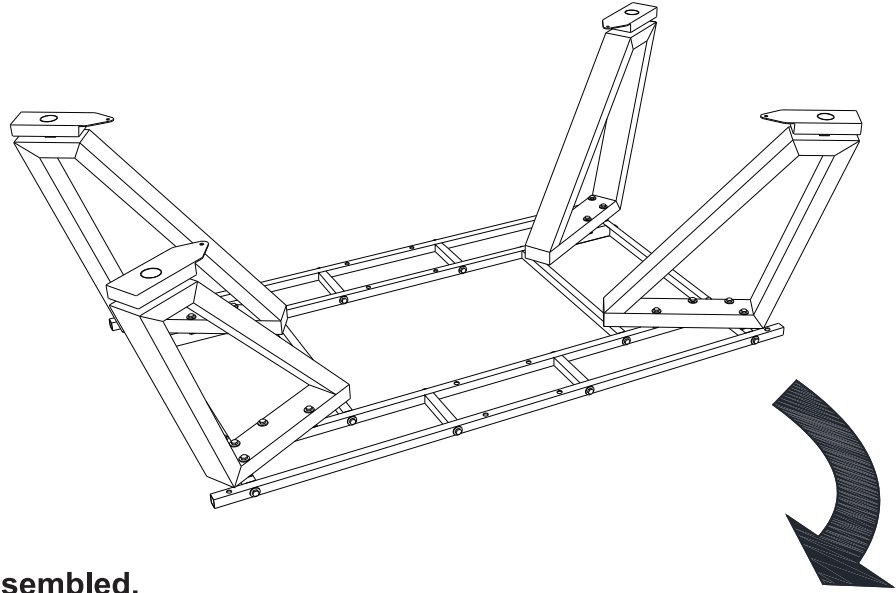


FIG.6



ASSEMBLY INSTRUCTIONS

FIG.7



Note:

After the third step is assembled,
the duo will flip the whole thing over.

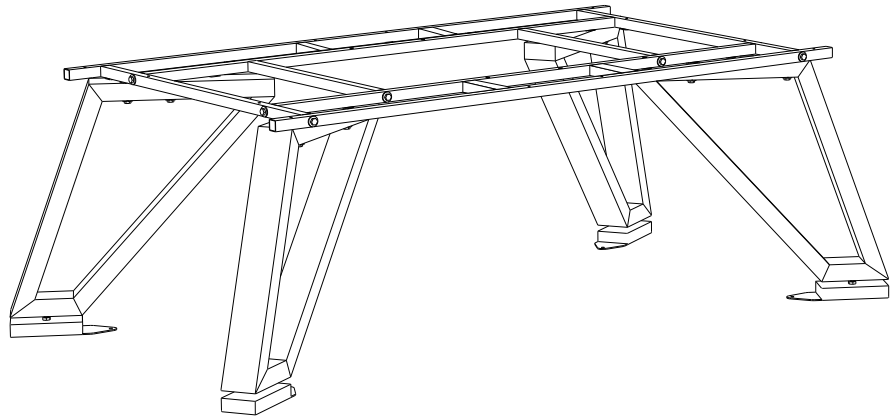
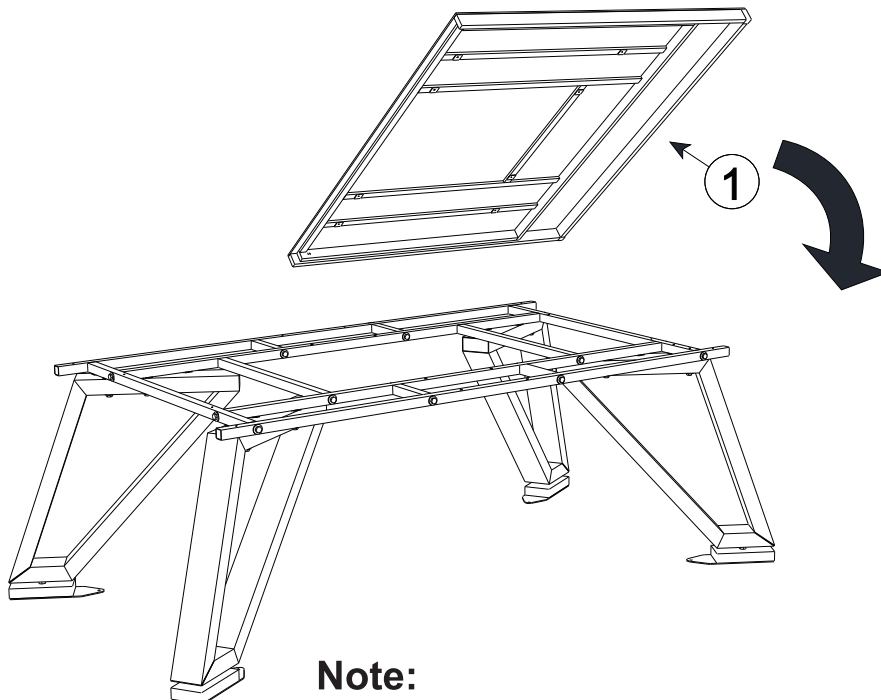


FIG.8



Note:

Place the panel on the stand.

ASSEMBLY INSTRUCTIONS

FIG.9

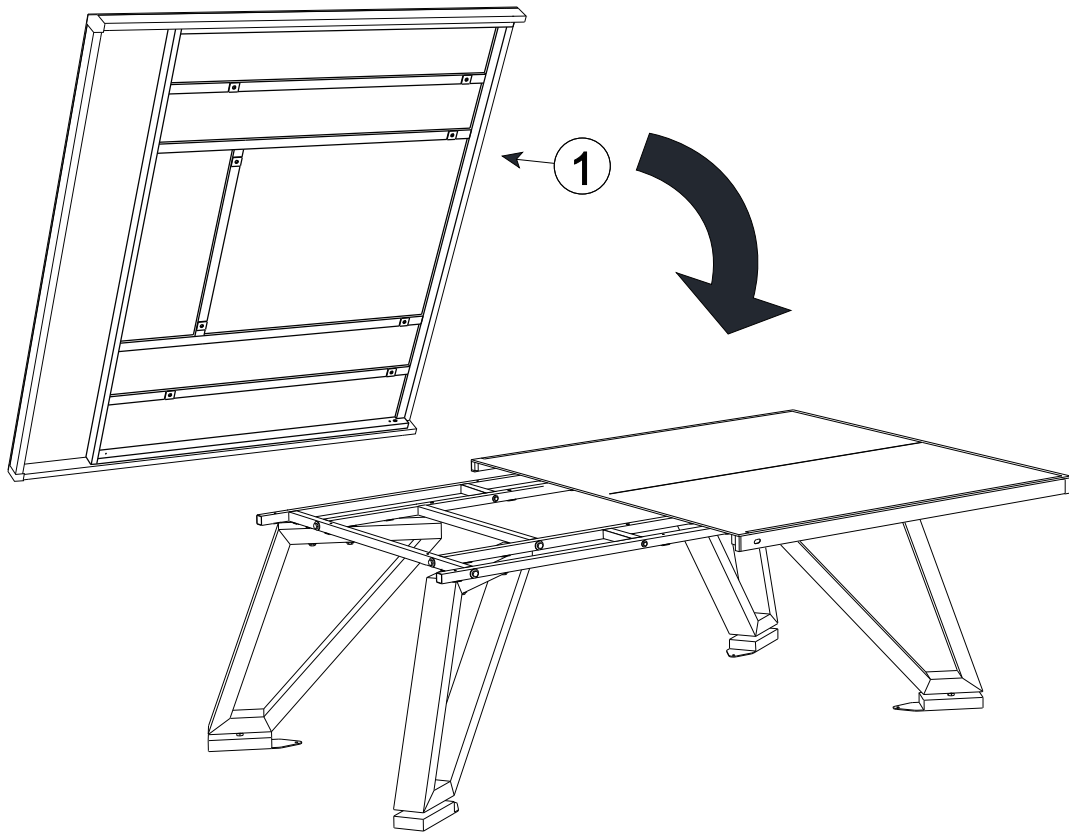
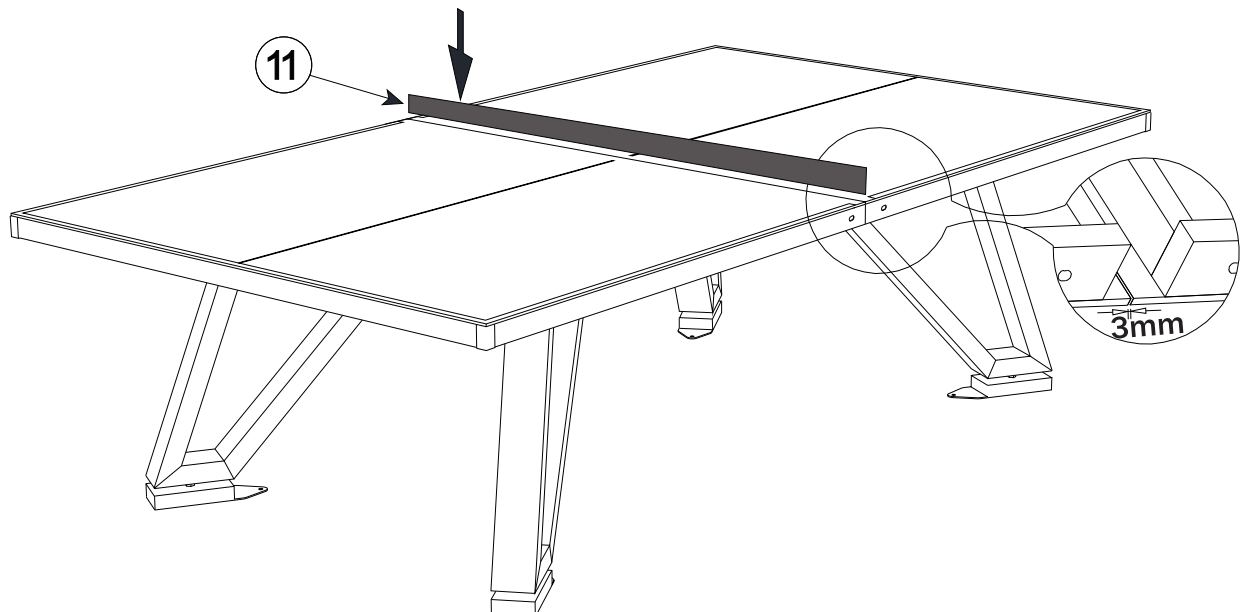


FIG.10

Note:

Lesve a 3mm gap between 1 and 1 for easy insertion into 11 !



ASSEMBLY INSTRUCTIONS

FIG.11

Note:Tighten the screws after the whole table is aligned

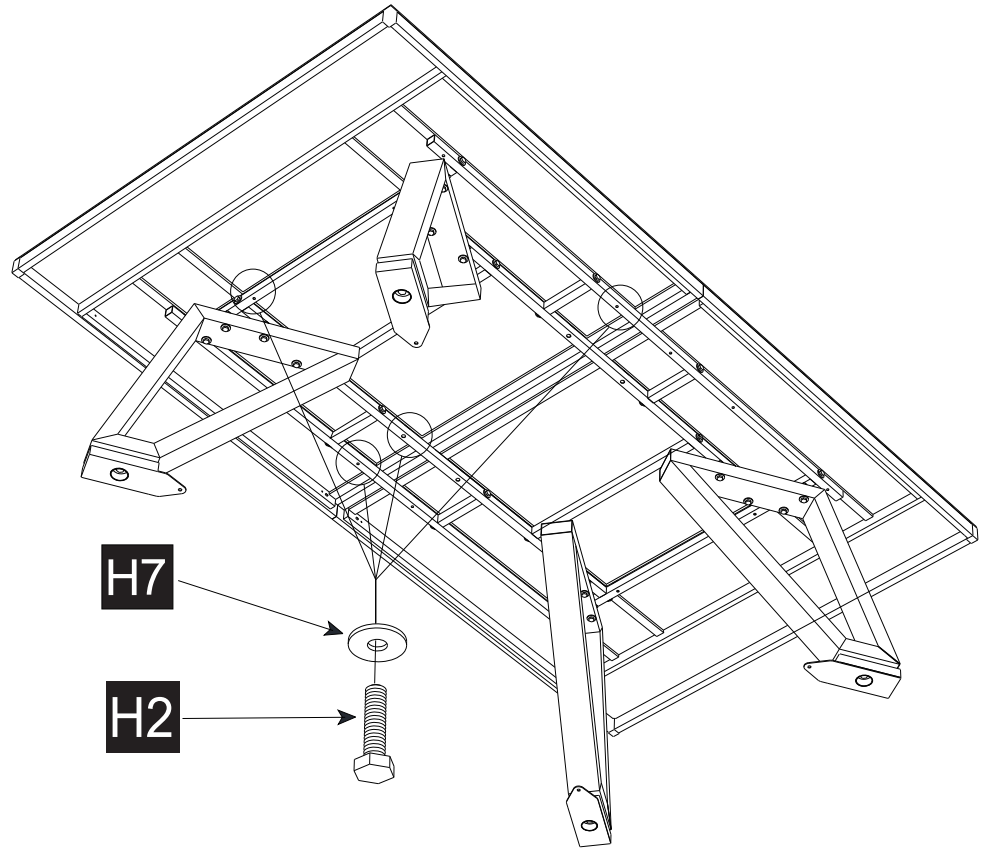
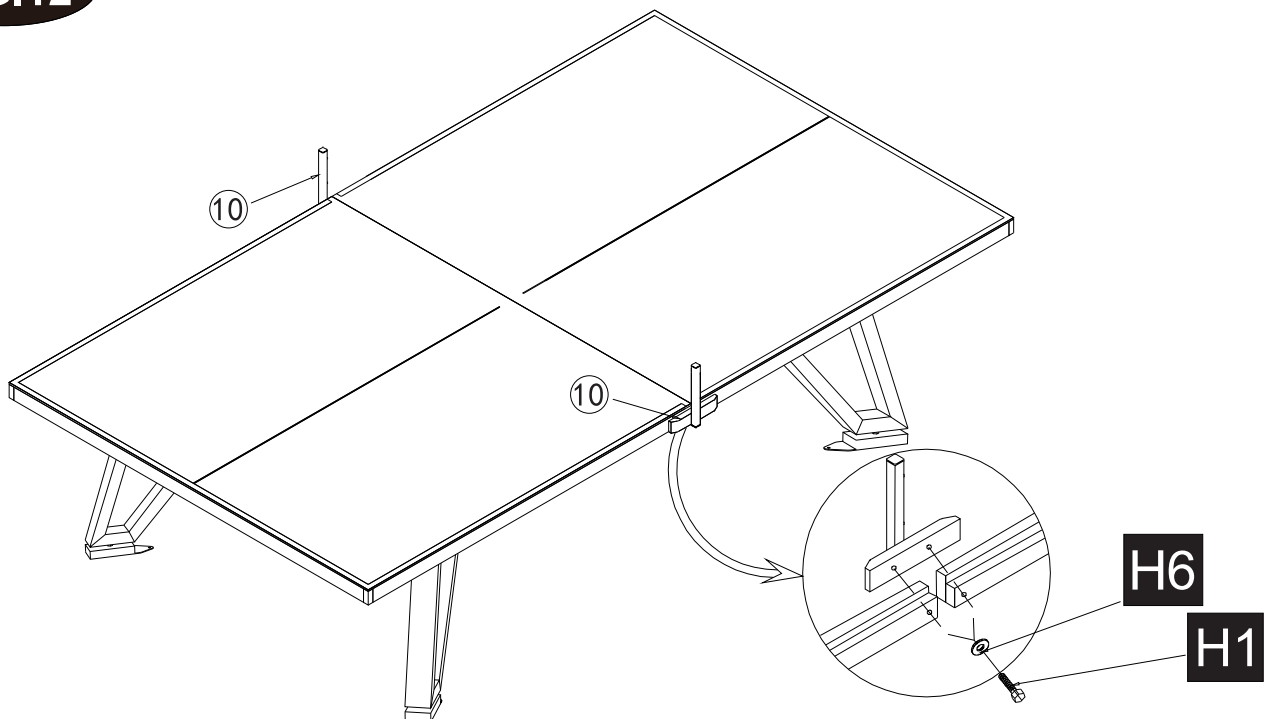


FIG.12



Note:Tighten the screws after the whole table is aligned.

ASSEMBLY INSTRUCTIONS

FIG.13

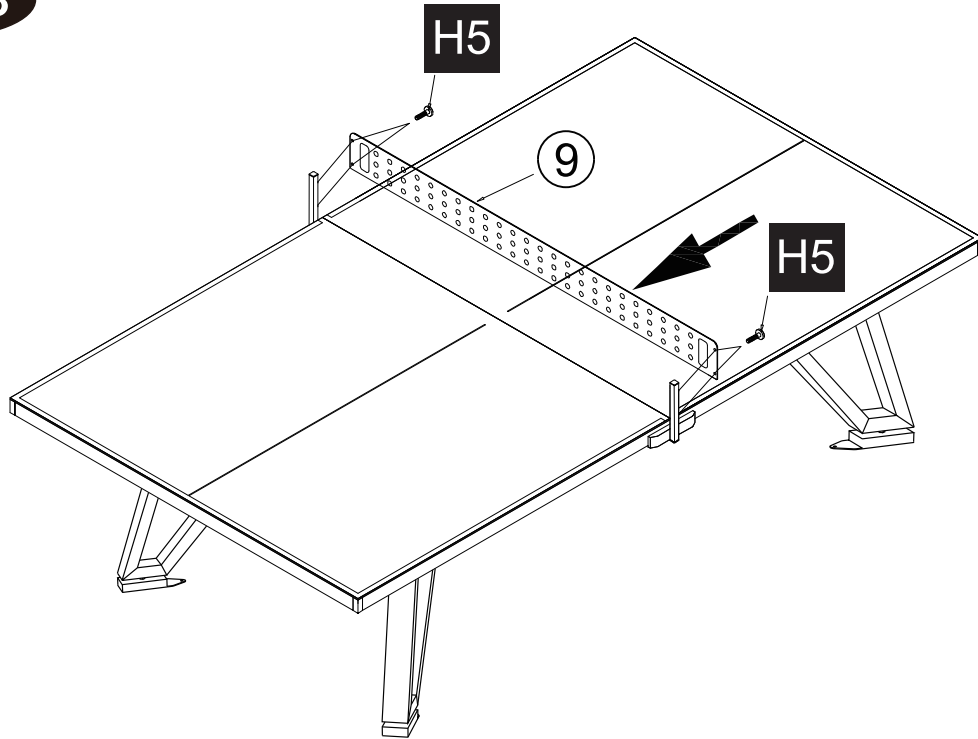
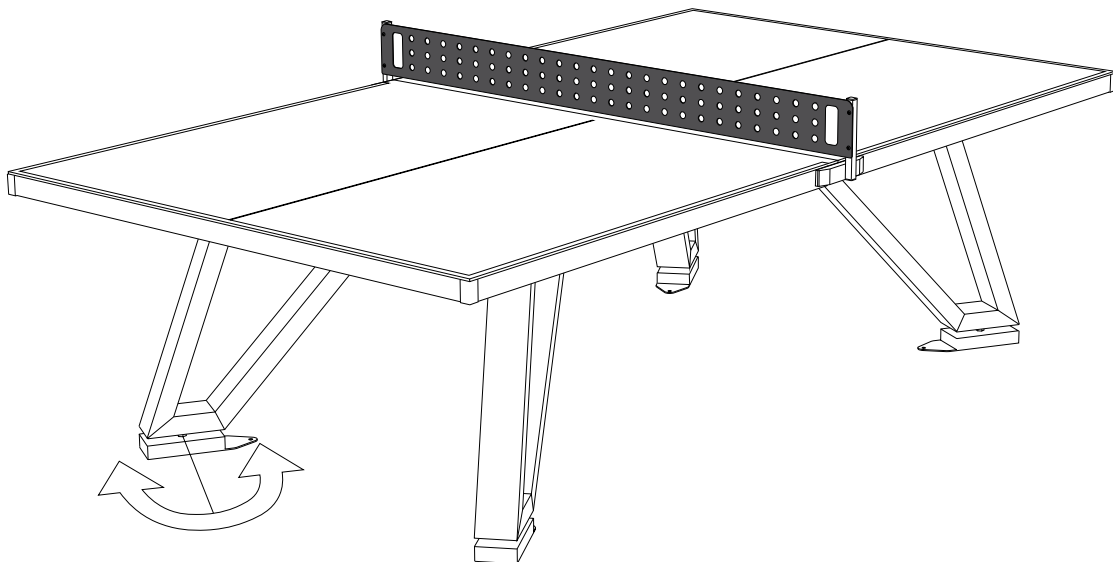


FIG.14



NOTE:

**When you find that the ground is uneven,
you can adjust the height through leg leveler.**