

ASSEMBLY INSTRUCTIONS

WARNING: ASSEMBLE THIS TABLE WITH 2 PERSON

6. Install the two sets of Ball catcher P5 with Screws H6. See figure 2.

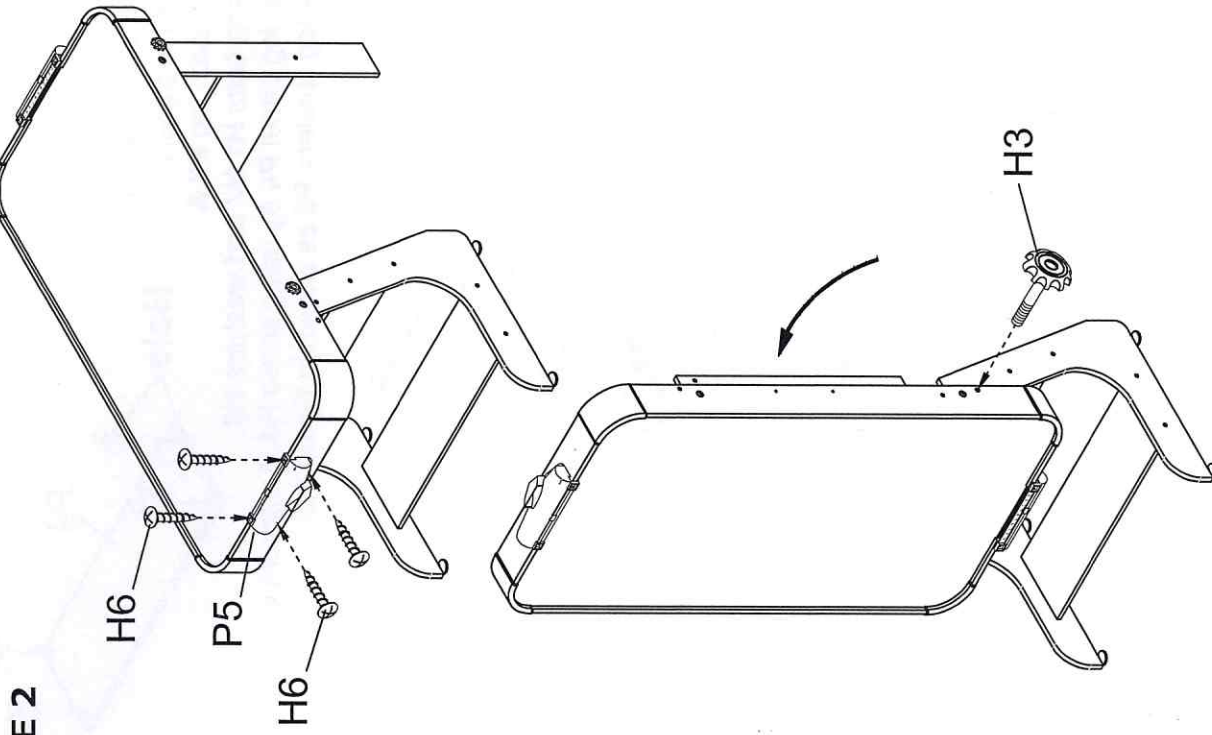
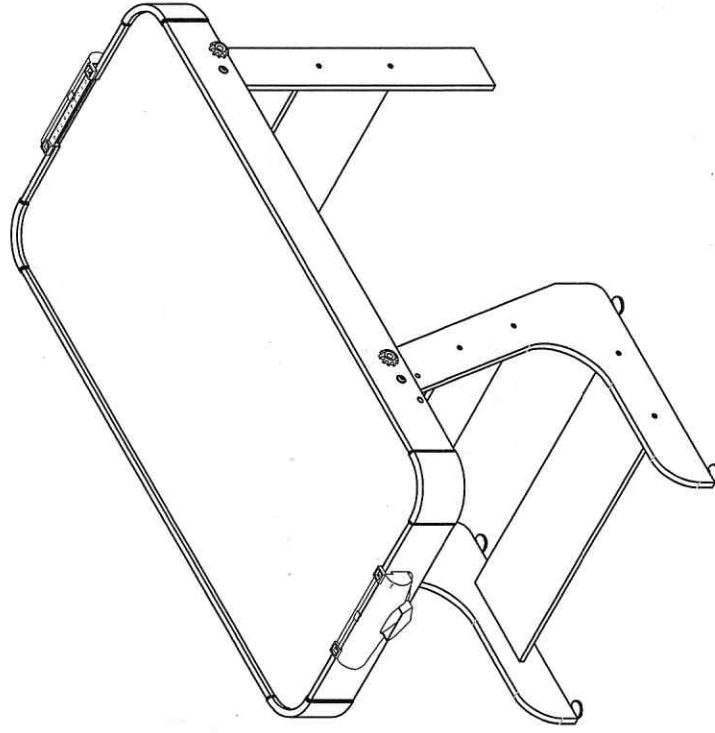


FIGURE 2

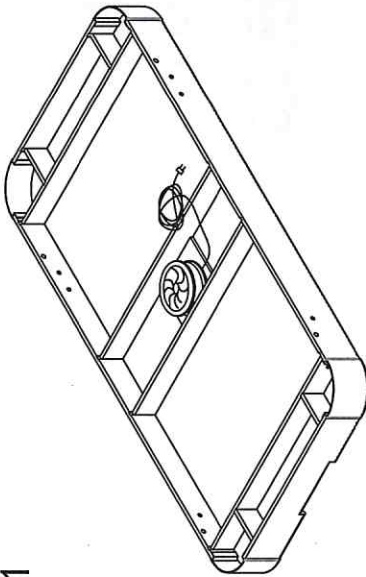
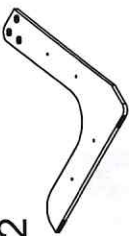
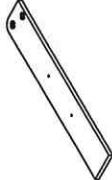
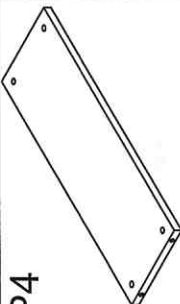
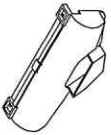
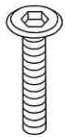




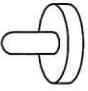


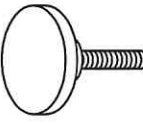


HOCKEY TABLE

ASSEMBLY INSTRUCTIONS

PEGASI



PARTS IDENTIFIER

		P2	Angled leg	x2
		P3	Straight leg	x2
	Main assembly 1set			
		P5	Ball catcher	x2
		H2	5/16" Washer	x8
		H5	Plastic cylindrical nut	x12
		A2	Hockey striker	x2
		H3	5/16" Handle bolt	x4
		P6	Leg leveler	x4
		A3	Wrench	x1

ASSEMBLY INSTRUCTIONS

WARNING: ASSEMBLE THIS TABLE WITH 2 PERSON

1. Place main assembly **P1** with playing side down on clean flat surface, on top of shipping carton.

FIGURE 1A

2. Insert the nut **H5** into the hole of the leg panels **P4** as shown in **figure 1A**.

The hole of the nut align the hole of the panels.

3. Assemble each leg **P2** & **P3** by using bolts **H1**, **H3** and washers **H2**.

4. Assemble leg panel **P4** by using screw **H4**. As shown in **figure 1B**.

5. Attach the leg levelers **P6** as shown in **figure 1B**.

FIGURE 1B

