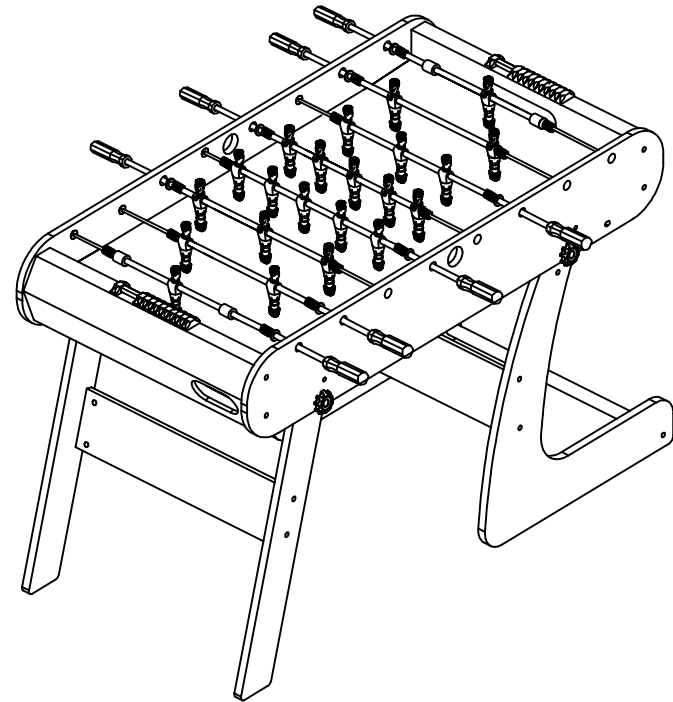


TABLE FOOTBALL






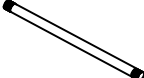





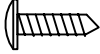
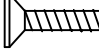
ASSEMBLY INSTRUCTIONS

PEGASI





PARTS IDENTIFIER

HARDWARE

		DESCRIPTION	QTY.
	H1	1/4"x1-1/4" Bolt	8
	H2	1/4"x2" Bolt	8
	H3	5/16"x1-3/4" Bolt	4
	H4	1/4" Washer	16
	H5	5/16" Washer	10
	H6	1/4"x25-1/4" Bolt	1
	H7	1/4"x1/2" Nut	2
	H8	5/16" Handle Nut	4
	H9	Cylindrical Nut	8
	H10	Cylindrical Nut (plastic)	4
	H11	1-1/2"Round Head Screw	4
	H12	1-1/8"Round Head Screw	4
	H13	1"Flat Head Screw	4

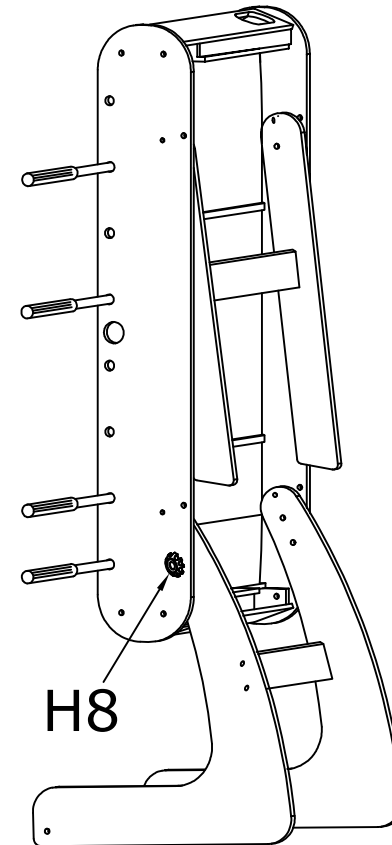
ACCESSORIES

		DESCRIPTION	QTY.
	A1	Foot Ball	2
	A2	Tool	2

ASSEMBLY INSTRUCTIONS

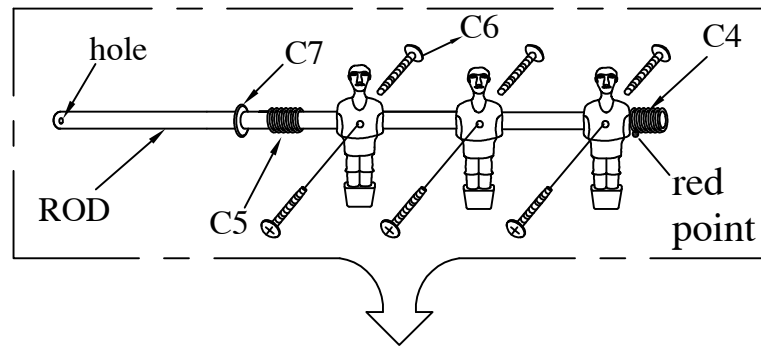
FOOTBALL TABLE ASSEMBLY

WARNING: Two adults needed to assemble soccer table



PARTS IDENTIFIER

ASSEMBLY PARTS



	R1	5 HOME PLAYERS ROD	1
	R2	3 HOME PLAYERS ROD	1
	R3	2 HOME PLAYERS ROD	1
	R4	1 HOME PLAYERS ROD	1
	R5	5 AWAY PLAYERS ROD	1
	R6	3 AWAY PLAYERS ROD	1
	R7	2 AWAY PLAYERS ROD	1
	R8	1 AWAY PLAYERS ROD	1
	R9	Solid Rod (INSERT THE PLAYERS ROD)	8

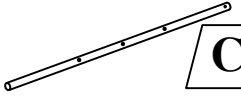
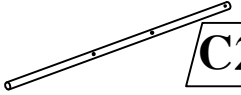
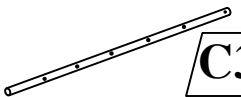
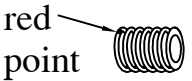

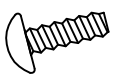
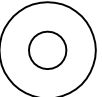


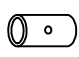
PARTS IDENTIFIER

ASSEMBLY PARTS

	DESCRIPTION	QTY.
	P1A Side Panel A	1
	P1B Side Panel B	1
	P2 End Panel	2
	P3 Playing Field	1
	P4A Left Straight Leg	1
	P4B Right Straight Leg	1
	P5A Left Angled Leg	1
	P5B Right Angled Leg	1
	P6 Leg Panel	2
	P7 Playfield Support Brace	2
	P8 Handle	8
	P9 PLASTIC NUT	8
	P10 PLASTIC BOLT A	8
	P11 PLASTIC BOLT B	8
	P12 Tube	1
	P13 Slide Scorer	2
	P14 Leg Board	2

PARTS IDENTIFIER

REPLACEMENT PARTS

	DESCRIPTION	QTY
 C1	3 PLAYER ROD	4
 C2	2 PLAYER ROD	2
 C3	5 PLAYER ROD	2
 C4	Rod Springs (A)	8
 C5	Rod Springs (B)	8
 C6	BOLT	52
 C7	PLASTIC ROD WASHERS	8
 C8	AWAY MEN	11
 C9	HOME MEN	11
 C10	STOP RING	4

ASSEMBLY INSTRUCTIONS

FOOTBALL TABLE ASSEMBLY

WARNING: Two adults needed to assemble soccer table

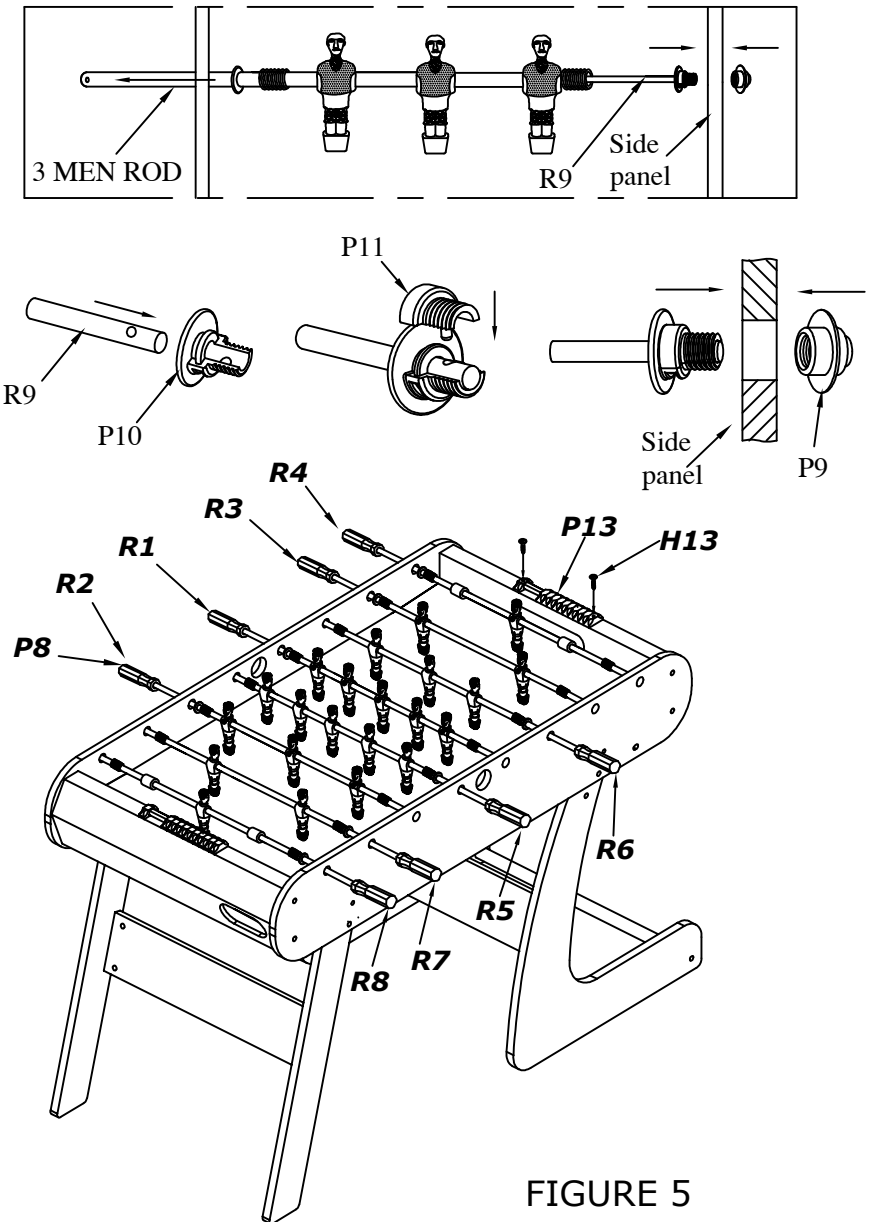


FIGURE 5

ASSEMBLY INSTRUCTIONS

FOOTBALL TABLE ASSEMBLY

WARNING: Two adults needed to assemble soccer table

- AS SHOWN IN **figure 5**, INSERT THE PLAYERS ROD **R1~ R8** THROUGH THE HOLE OF THE TWE SIDE PANELS FROM THE INSIDE TO THE OUTSIDE IN POWER.
- INSERT THE RODS **R9** IN THE PLASTIC BOLT **A P10**, BE SURE THE HOLE OF ROD MUST FACE THE HOLE OF **P11**, PUT THE PLASTIC BOLT **B P11** INTO THE HOLE OF THE ROD AND PLASTIC BOLT **A P10**, THEN INSERT THE ASSEMBLED ROD IN THE HOLE OF SIDE PANEL, TIGHTEN THE PLASTIC NUT **P9** AS SHOWN IN **figure 5**.
* Do not over tighten **P9**.
- SLIDE THE HANDLES **P8** ONTO THE ENDS OF THE RODS, ATTACH THE TWO SETS OF SLIDE SCORER **P13** TO THE END OF TABLE WITH SCREWS **H13**.

ASSEMBLY INSTRUCTIONS

FOOTBALL TABLE ASSEMBLY

WARNING: Two adults needed to assemble soccer table

- Slide playfield **P3** into the groove on the side panels **P1A/P1B** with graphics facing down. See **figure 1**.

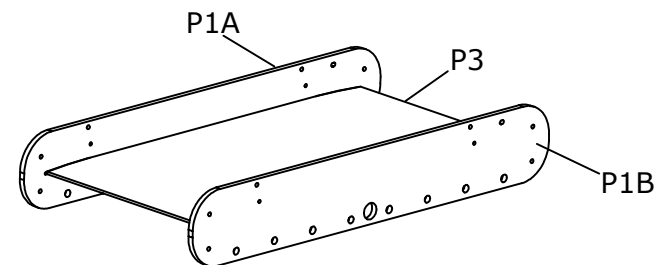


FIGURE 1

- Attach the two end panels **P2** to the side panels **P1** as shown in **figure2**. Remember the groove must face towards the playfield. Attach the end panels with bolts **H1** and washers **H4** into the pre-installed dowel connectors. Tighten all hardware at this time.

CAUTION

Do not over-tighten hardware.

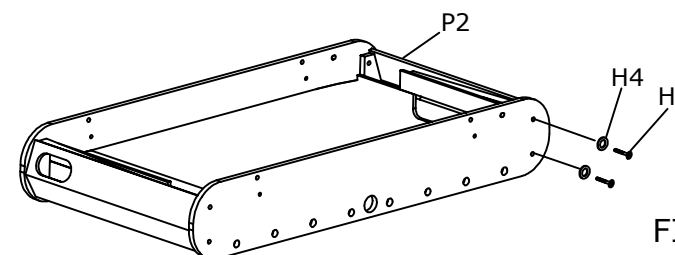


FIGURE 2

ASSEMBLY INSTRUCTIONS

FOOTBALL TABLE ASSEMBLY

WARNING: Two adults needed to assemble soccer table

3. Insert the nut **H10** into the hole of the support braces **P7** as shown in **figure 3**. The hole of the nut align the hole of the braces.
Place the playfield supports **P7** on the bottom of the playfield and attach it with screws **H11** as shown in **figure 3**.

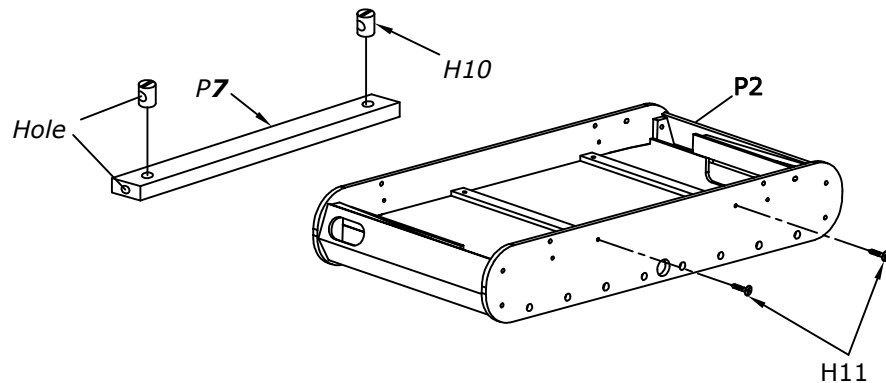


FIGURE 3

4. Attach the straight legs **P4A&P4B** and angled legs **P5A&P5B** to the table by using bolts **H3**, washers **H5** and handle bolt **H8**. See **figure 4**.
5. Insert the nut **H9** into the hole of the leg **P6**. The hole of the nut align the hole of the panel. See **figure 4**.
Attach the leg panels **P6** with bolt **H2** and washers **H4**. See **figure 4**.
6. Attach the tube **P12** between each legs **P5A&P5B**.
Insert the bolt **H6** into the tube **P12**, then attach with washers **H5** and nut **H7**. See **figure 4**.
7. Attach the leg board **P14** with screw **H12**. See **figure 4**.

ASSEMBLY INSTRUCTIONS

FOOTBALL TABLE ASSEMBLY

WARNING: Two adults needed to assemble soccer table

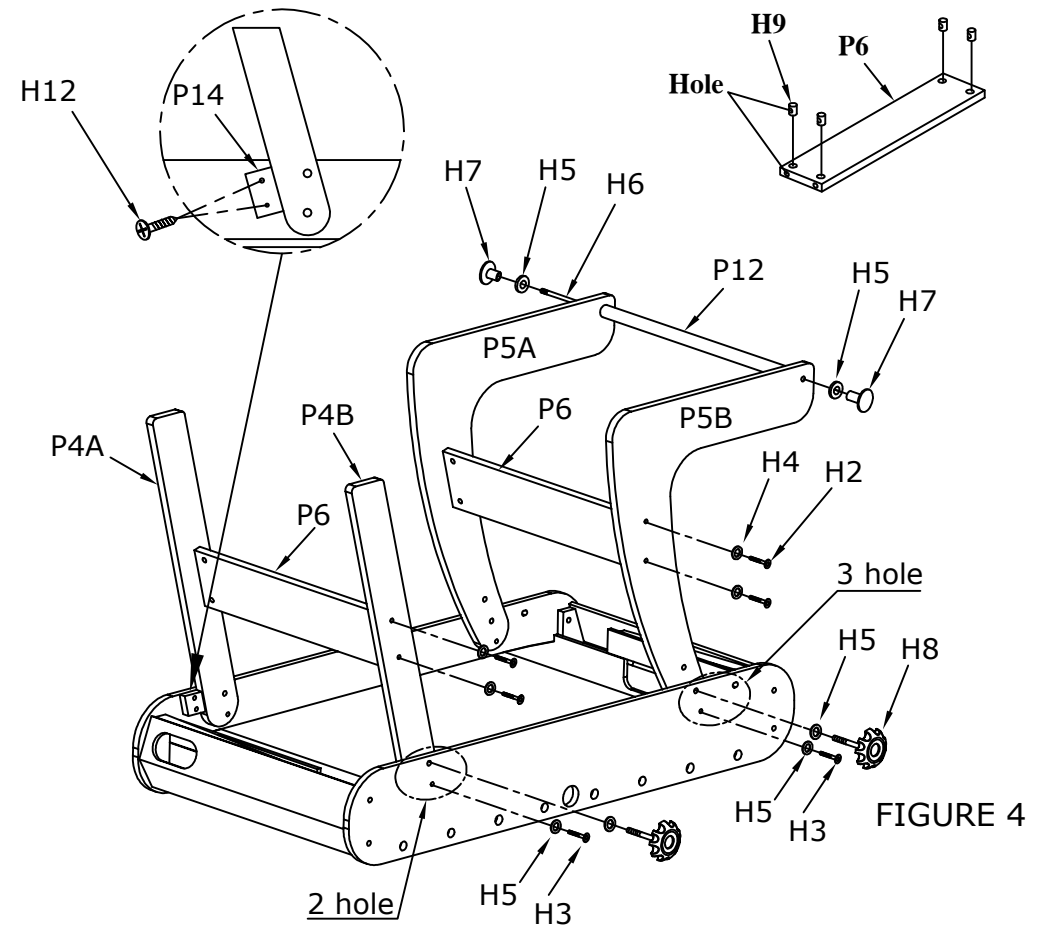


FIGURE 4