

ASSEMBLY INSTRUCTIONS

WARNING: ASSEMBLE THIS TABLE WITH 2 PERSON

6. Install the two sets of BALL CATCHER **P4** with 1/2" ROUND HEAD PHILLIPS SCREW **H6**.

HOCKEY TABLE

ASSEMBLY INSTRUCTIONS

PEGASI

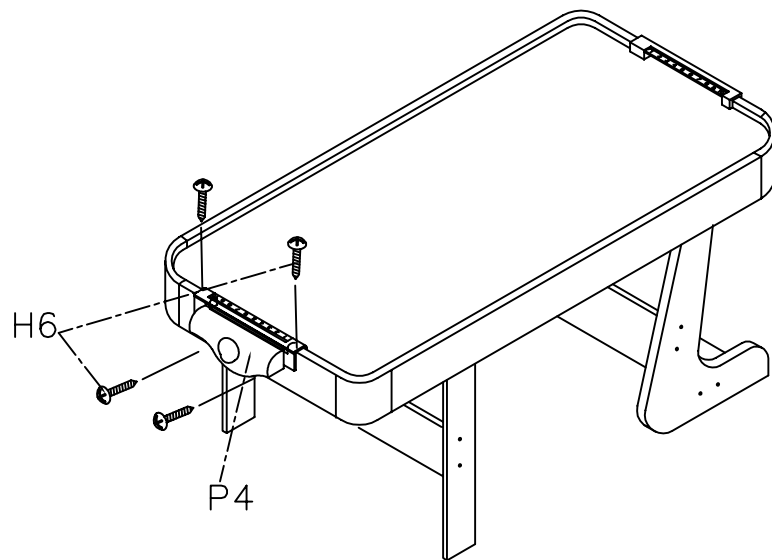
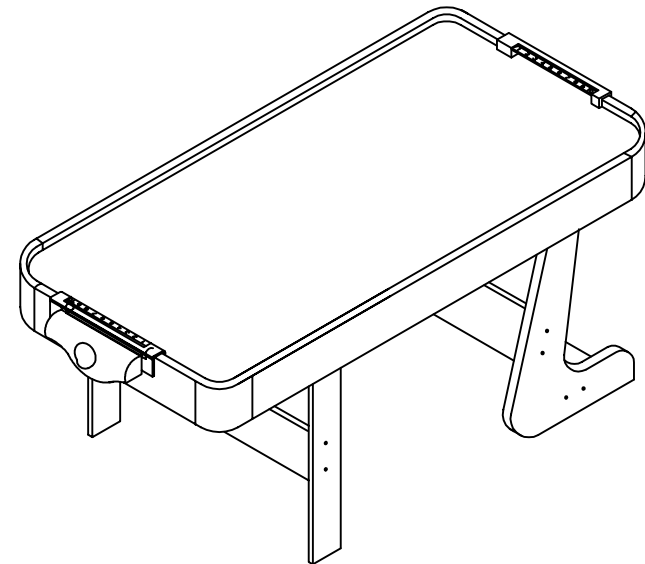
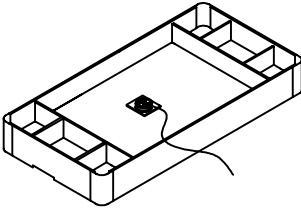


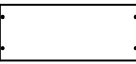
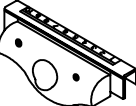

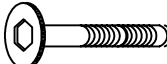
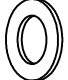



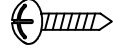

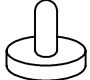



figure 2



ASSEMBLY INSTRUCTIONS

<p>P1</p>  <p style="text-align: center;">MAIN ASSEMBLY 1set</p>	<p>P2(A)</p>  <p style="text-align: center;">LEG 1pc</p> <hr/> <p>P2(B)</p>  <p style="text-align: center;">LEG 1pc</p>	<p>P3</p>  <p style="text-align: center;">LEG PANEL 3pcs</p>
<p>P4</p>  <p style="text-align: center;">BALL CATCHER 2pcs</p>	<p>P5</p>  <p style="text-align: center;">LEG LEVELER 4 PCS</p>	
<p>H1</p>  <p style="text-align: center;">$\frac{5}{16}$ BOLTS 4pcs</p>	<p>H2</p>  <p style="text-align: center;">$\frac{5}{16}$ WASHERS 8pcs</p>	<p>H3</p>  <p style="text-align: center;">$\frac{5}{16}$ HANDLE BOLTS 4pcs</p>
<p>H4</p>  <p style="text-align: center;">1-1/2" ROUND HEAD PHILLIPS SCREWS 12pcs</p>	<p>H5</p>  <p style="text-align: center;">CYLINDRICAL NUT 12 PCS</p>	<p>H6</p>  <p style="text-align: center;">1/2" ROUND HEAD PHILLIPS SCREWS 8pcs</p>
<p>A1</p>  <p style="text-align: center;">HOCKEY PUCK 2pcs</p>	<p>A2</p>  <p style="text-align: center;">HOCKEY STRIKERS 2pcs</p>	<p>A3</p>  <p style="text-align: center;">TOOL 1 pc</p>

ASSEMBLY INSTRUCTIONS

WARNING: ASSEMBLE THIS TABLE WITH 2 PERSON

1. Place MAIN ASSEMBLY with playing side down on clean flat surface, on top of shipping carton.
2. Assemble each leg **P2(A)/P2(B)** by using bolts **H1,H3** and washers **H2**.
3. Insert the nut **H5** into the hole of the leg panels **P3** as shown in **figure 1**. The hole of the nut align the hole of the panels.
4. Assemble leg panel **P3** by using screw **H4**.as shown in **figure 1**.
5. Attach the leg levelers **P5** as shown in **figure 1**.

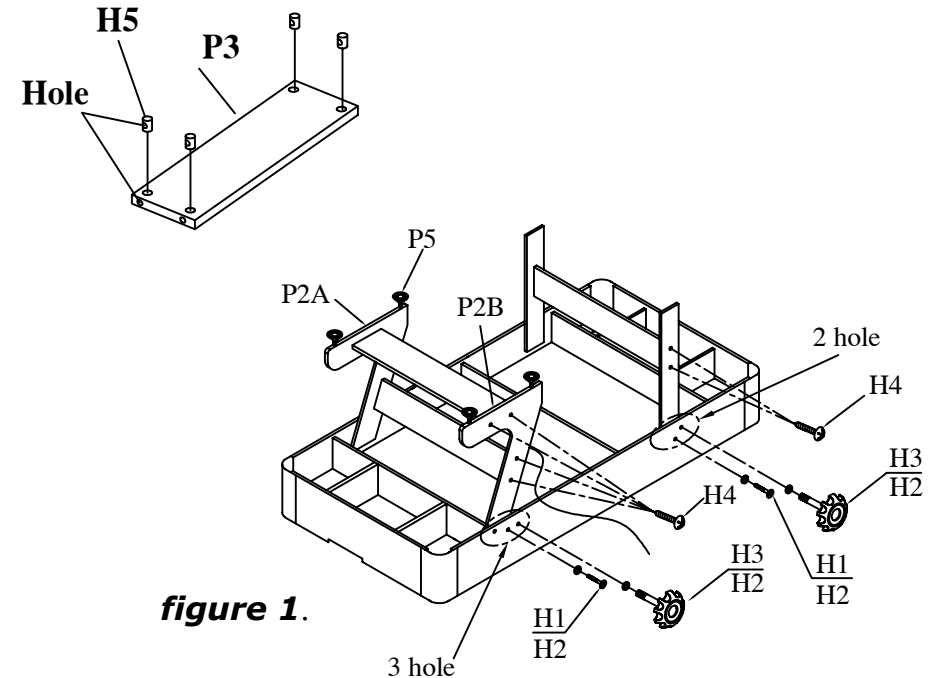


figure 1.